

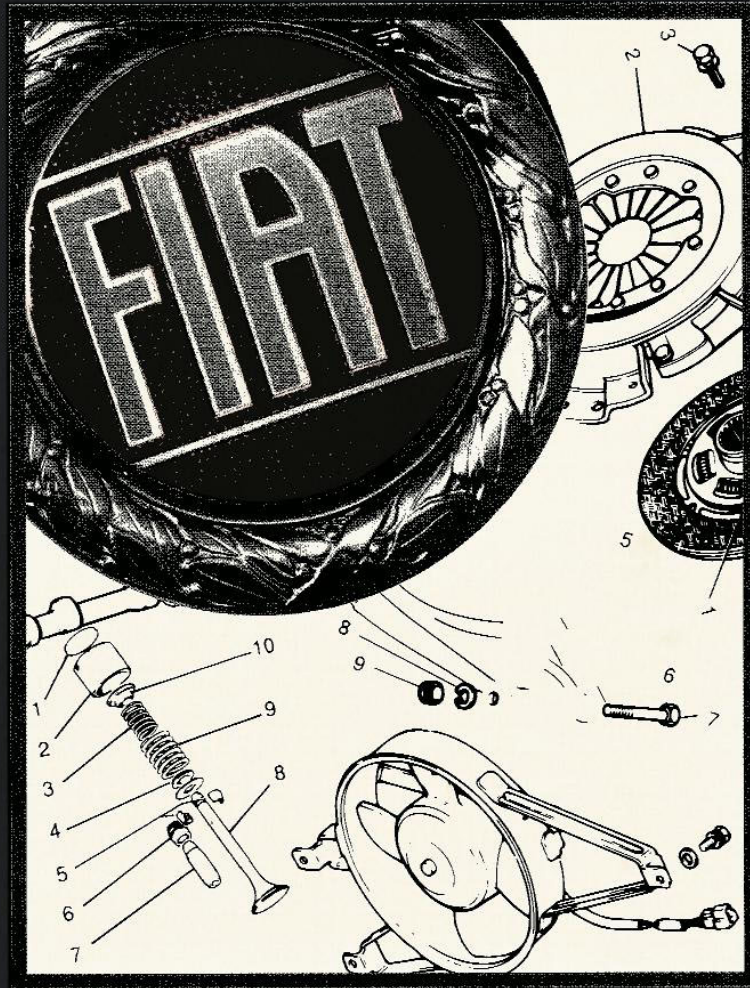
# FIAT X1/9

PART #3395  
JANUARY 1996

## PARTS CATALOG 1974 - 1988

FIAT LANCIA

*Linea Rossa*



# BERTONE



F O R W A R D

THE X1/9 MADE IT'S DEBUT AT THE TURIN AUTO SHOW IN NOVEMBER 1972 AND IT WAS THE FIRST CAR IN THE HISTORY OF FIAT TO HAVE A CENTRALLY MOUNTED ENGINE AND A DUAL FUNCTION COUPE SPIDER BODY. TO QUOTE EMERSON FITTIPALDI FROM THE MAY 13 ISSUE OF THE ITALIAN MAGAZINE QUATRORUOTE. THE X1/9 DRIVES LIKE A FORMULA 1 CAR. ONLY RARELY HAVE I COME ACROSS THIS HONEST TO GOODNESS ROAD HOLDING. THE CAR WILL HOLD THE CHOSEN LINE WITH ACCURACY AND PRECISION EVEN AT HIGH SPEED.

LINEAROSSA IS COMMITTED TO BE THE LEADING SUPPLIER OF QUALITY PARTS FOR THE X1/9 BERTONE. THIS PARTS BOOK IS TO AID THE DEALER AND CUSTOMER IN IDENTIFYING THE CORRECT REPLACEMENT PARTS FOR ALL YEARS.

LINEAROSSA SINCERELY HOPES THAT THIS BOOK HELPS KEEP YOUR CAR ON THE ROAD AND LOOKING GOOD FOR MANY YEARS TO COME.

IF YOU DON'T FIND WHAT YOU NEED IN THE BOOK PLEASE CONTACT US WE WILL BE MORE THAN HAPPY TO HELP IN ANY WAY WE CAN.

LINEAROSSA INTERNATIONAL INC.  
15281 BARRANCA PARKWAY #A  
IRVINE, CALIFORNIA 92718

800-866-FIAT  
714-727-1201  
714-727-0603 FAX



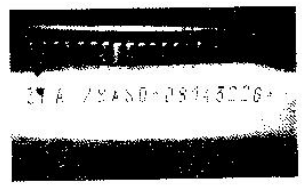
I N D E X

FORWARD.....	1	INTERNAL BODY WORK.....	62
INDEX.....	2	FRONT LUGGAGE COMPARTMENT..	64
GENERAL INFORMATION.....	3	ENGINE COMPARTMENT.....	67
ENGINE & TRANSMISSION.....	11	REAR WINDOW.....	69
COOLING SYSTEMS.....	18	HARD TOP.....	70
FUEL SYSTEM GROUP.....	21	DOOR & LOCK MECHANISMS.....	71
EXHAUST & EMISSIONS.....	25	WINDOW ASSEMBLY.....	73
TRANSMISSION & CLUTCH.....	28	LUGGAGE COMPARTMENT LID....	75
BRAKE GROUP.....	32	BUMPERS.....	76
DRIVELINE GROUP.....	36	CARPET SETS.....	78
SUSPENSION & STEERING.....	37	PUBLICATIONS.....	79
FUEL INJECTION.....	47	WHEELS.....	80
IGNITION & ELECTRICAL.....	48	CLUBS & ORGANIZATIONS.....	81
LIGHTING & RELAY GROUP.....	52		
WINDSHIELD WIPER ASSY.....	56		
BODY REPAIR PANELS.....	57		

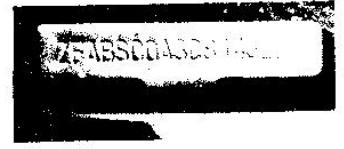
# General Information

## IDENTIFICATION DATA

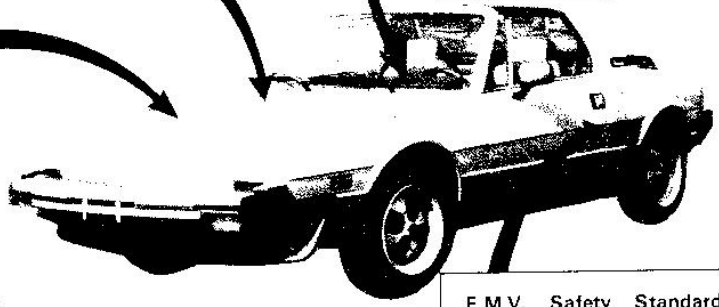
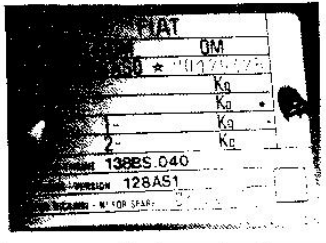
**Chassis Type and Identification Number** - Punched on cowl on right side of front luggage compartment (above battery box).



**F.M.V. Safety Standard 115 Tag** - Type of vehicle and chassis number. Located on left panel top between instrument cluster and windshield.



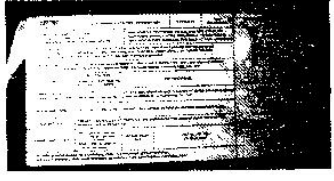
**Chassis Plate** - Located on right side of front luggage compartment.



**F.M.V. Safety Standard Conformity Tag** - Month and year of manufacture, gross vehicle weight rating, gross axle weight rating, chassis number and vehicle type. Located on left door jamb.



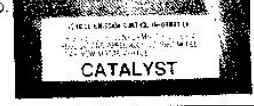
**E.P.A. Regulations Conformity Tag** - Air pollution control specifications for correct engine tune-up and adjustments. Located in engine compartment on left side.



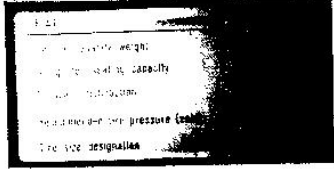
**Engine Type and Identification Number** - Punched on crankcase, flywheel side.



**Vehicle Emission Control Information Label** - Located on left door jamb.



**F.M.V. Safety Standard 110 Tag** - Tire data and vehicle capacity. Located on right door jamb.





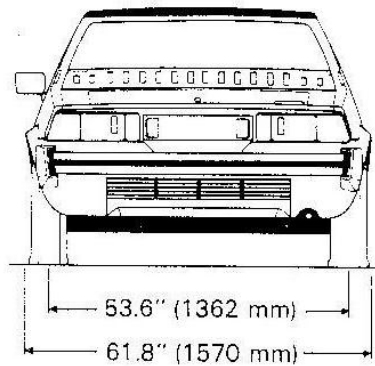
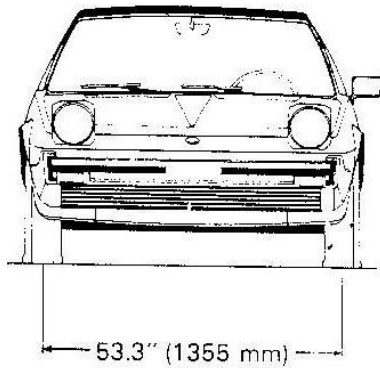
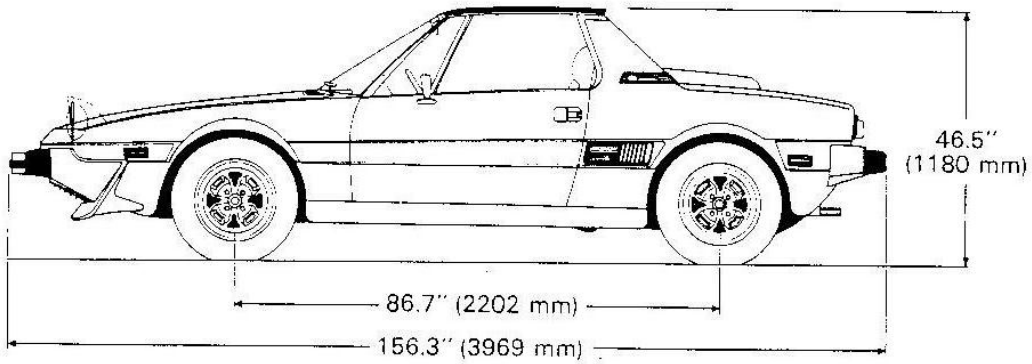


GENERAL INFORMATION

WEIGHTS

Curb weight:	
— Vehicles with carburetor	
with air pump .....	2130 lbs.
without air pump .....	2120 lbs.
— Vehicles with fuel injection .....	2130 lbs.
For air conditioning, add .....	80 lbs.
<hr/>	
Seating capacity .....	2 persons
<hr/>	
Carrying capacity .....	430 lbs.

DIMENSIONS





GENERAL INFORMATION

CAPACITIES				
UNIT	QUANTITY			REFILL
	lt	kg	U.S. Units	
Fuel tank	47	—	12.2 gals.	Unleaded gasoline with octane rating of at least 91 (Research Method)
Radiator, cylinder jackets and heating system	11.6	—	12.2 qts.	Use 50-50 antifreeze and water mixture
Engine sump and filter (*)	4.1	3.7	4.3 qts.	Low-ash content detergent oils – API Service SE to MIL-L-46152
Transmission and Axle	3	2.7	3.2 qts.	SAE 90 oil (not EP) containing anti-wear additives
Steering box	0.140	0.127	5.3 ozs.	SAE 90 EP oil or lithium-base grease with molybdenum disulphide
Constant-velocity joints and boots (each)	—	0.100	3.2 ozs.	Lithium-base grease with molybdenum disulphide
Brake hydraulic system	0.440	0.440	1 pt.	DOT 3 Motor Vehicle Brake Fluid to F.M.V.S.S. No. 116
Clutch hydraulic system	0.180	0.180	6.4 ozs.	Same as brake system

(\*) Total capacity including sump, filter and lines is 5 qts. (4.7 lt). Amount indicated in table is requirement for periodic oil changes.

GENERAL INFORMATION

SPECIFICATIONS

**Engine**

**Type:**

- Vehicles with carburetor	
with air pump.....	138AS.031
without air pump.....	138AS.040
-Vehicles with fuel injection.....	138BS.040
Arrangement.....	Mid transverse
Number of cylinders.....	Four
Bore.....	3.40in.(86.4mm)
Stroke.....	2.52in.(63.9mm)
Displacement.....	91.44cu.in.(1498cc)
Valve arrangement.....	Overhead valves.Single overhead camshaft drive by toothed timing belt.
Compression ratio.....	8.5 to 1
Horsepower rating, SAE net:	
-Vehicles with carburetor	
with air pump.....	66 at 5250 rpm
without air pump.....	67 at 5250 rpm
-Vehicles with fuel injection.....	75 at 5500 rpm
Torque rating, SAE net:	
- Vehicles with Carburetor	
with air pump.....	76ft.lbs.at 2500 rpm
without air pump.....	77ft.lbs. at 2500 rpm
-Vehicles with fuel injection.....	80ft.lbs. at 3000 rpm

## General Information

### TUNE-UP SPECIFICATIONS (VEHICLES WITH CARBURETOR)

Valve clearance (engine cold):		
— Intake .....		0.011 to 0.014 in. (0.28 to 0.35 mm)
— Exhaust .....		0.015 to 0.018 in. (0.38 to 0.46 mm)
Fuel pump pressure at 4000 rpm .....		3.5 to 4.3 psi
Spark plugs:		
— Type .....	AC	<b>Normal</b> 42XLS
.....	Bosch	W175T30
.....	Champion	N9Y
.....	Marelli	CW7LP
— Gap .....		0.023 to 0.027 in. (0.6 to 0.7 mm)
		<b>Resistor</b> R42XLS W175TR30 RN9Y CW7LPR 0.027 to 0.031 in. (0.7 to 0.8 mm)
Ignition timing .....		5° BTDC at 800 to 850 rpm
Distributor advance:		
— Centrifugal .....		23° to 27° at 5500 rpm
— Total (ignition timing and centrifugal) .....		28° to 32° at 5500 rpm
— Vacuum		
with air pump .....		16° to 18° at 12 in. Hg
without air pump .....		26° to 30° at 12 in. Hg
Idle speed (1) .....		800 to 900 rpm
CO level (at idle) (1) .....		1.0 to 2.0%

(1) Idle speed and CO must be checked and adjusted with hose to reed valve or check valve pinched off.

### TUNE-UP SPECIFICATIONS (VEHICLES WITH FUEL INJECTION)

Valve clearance (engine cold):		
— Intake .....		0.011 to 0.014 in. (0.28 to 0.35 mm)
— Exhaust .....		0.015 to 0.018 in. (0.38 to 0.46 mm)
Fuel pump pressure .....		39 to 45 psi (2.7 to 3.2 bar)
Spark plugs:		
— Type .....		Champion RN9Y
— Gap .....		0.027 to 0.031 in. (0.7 to 0.8 mm)
Ignition timing .....		10° BTDC at 800 to 850 rpm
Distributor advance:		
— Centrifugal .....		16° to 20° at 3500 rpm
— Total (ignition timing and centrifugal) .....		26° to 30° at 3500 rpm
— Vacuum .....		12° to 16° at 11 in. Hg
Idle speed .....		800 to 900 rpm
CO level (at idle) .....		0.5 to 0.9%





GENERAL INFORMATION

SPECIFICATIONS

IGNITION

Firing order .....	1 - 3 - 4 - 2	
<b>Distributor</b>		
Type .....	Bosch — 0-237 .....	
Static advance:		
— Vehicles with carburetor .....	5°	
— Vehicles with fuel injection .....	10°	
Centrifugal advance:		
— Vehicles with carburetor .....	23° to 27° at 5500 rpm	
— Vehicles with fuel injection .....	16° to 20° at 3500 rpm	
Total advance (static and centrifugal):		
— Vehicles with carburetor .....	28° to 32° at 5500 rpm	
— Vehicles with fuel injection .....	26° to 30° at 3500 rpm	
Vacuum advance:		
— Vehicles with carburetor		
with air pump .....	16° to 18° at 12 in. Hg	
without air pump .....	26° to 30° at 12 in. Hg	
— Vehicles with fuel injection .....	12° to 16° at 11 in. Hg	
Air gap .....	0.011 to 0.019 in. (0.3 to 0.5 mm)	
Rotor arm resistance .....	6000 ohms	
Pickup coil resistance .....	890 to 1285 ohms	
<b>Electronic Control Module</b>		
Type .....	Bosch — 0-277-100-029	
Current limiter output .....	4.5 to 6 amps	
Input voltage .....	6 to 18 volts	
<b>Coil</b>		
Type .....	Bosch — 0-221-122-012	
Primary winding resistance at 68°F (20°C) .....	1.1 to 1.7 ohms	
Secondary winding resistance at 68°F (20°C) .....	6,000 to 10,000 ohms	
Ballast resistor resistance .....	0.85 to 0.95 ohms	
<b>Spark Plugs</b>		
Thread diameter and pitch, metric .....	M 14 x 1.25	
<b>Vehicles With Carburetor</b>		
Type .....	<b>Normal</b>	<b>Resistor</b>
..... AC	42XLS	R42XLS
..... Bosch	W175T30	W175TR30
..... Champion	N9Y	RN9Y
..... Marelli	CW7LP	CW7LPR
Gap .....	0.023 to 0.027 in. (0.6 to 0.7 mm)	0.027 to 0.031 in. (0.7 to 0.8 mm)
<b>Vehicles With Fuel Injection</b>		
Type .....	Champion RN9Y	
Gap .....	0.027 to 0.031 in. (0.7 to 0.8 mm)	



GENERAL INFORMATION

**ELECTRICAL SYSTEM**

Battery:	
— Voltage .....	12
— Capacity at 20 hr. discharge rate .....	60 Ah
Alternator:	
— Continuous current rating	
Bosch .....	65 amps
Marelli .....	55 amps
Bosch (1983 and on) .....	70 amps
Voltage regulator:	
— Regulating voltage at 77°F (25°C) .....	13.8 to 14.2
Starter:	
— Type .....	Direct drive. Direct engagement by solenoid and freewheeling pinon.
— Power rating	
Bosch .....	0.8 kW
Marelli .....	0.9 kW
Ignition system:	
— Type .....	Bosch breakerless electronic
— Spark advance .....	Centrifugal and vacuum
— Pickup coil resistance .....	890 to 1285 ohms
— Ignition coil resistance at 68°F (20°C)	
primary .....	1.1 to 1.7 ohms
secondary .....	6,000 to 10,000 ohms
— Ballast resistor resistance .....	0.85 to 0.95 ohms



SHOP MANUAL

## Covers Fiat, Bertone Models 1979 thru 1988

The only complete, single source service information and specification manual available for the X 1/9. Not an aftermarket reproduction but the original Fiat Shop and Service Manual beautifully reproduced, including multipage exploded views.

### GENERAL INFORMATION:

- Fiat Part # 3399 • 4 Two Page Exploded Views
- 350 Plus Pages • 8.5" x 11" Soft Cover
- Over 1000 figures, illustrations and diagrams

### CONTENTS:

- Maintenance & Tune up • Transmission • Brakes •
- Engine • Drive Shaft • Steering System •
- Clutch • Electronic Ignition • Rear Axle •
- Suspension • Wheels • Body • Air Conditioning •

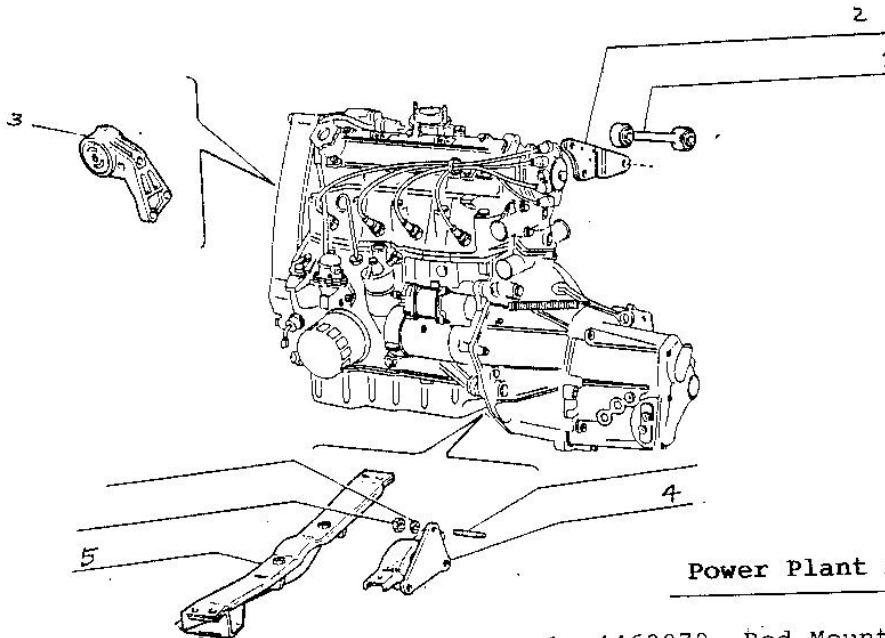
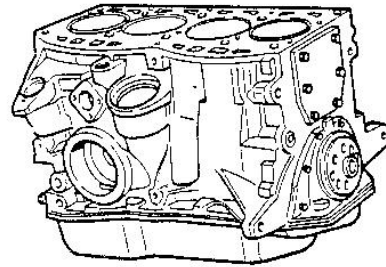


**ORDER FIAT PART NUMBER 3399**

ENGINE & TRANSMISSION MOUNTS

Short Blocks

- 1. 4424211 Short Block 79-80 Carbureted
- 5882711 Short Block 80-82 Fuel Injected
- 5882726 Short Block 85-88 Late Bertone

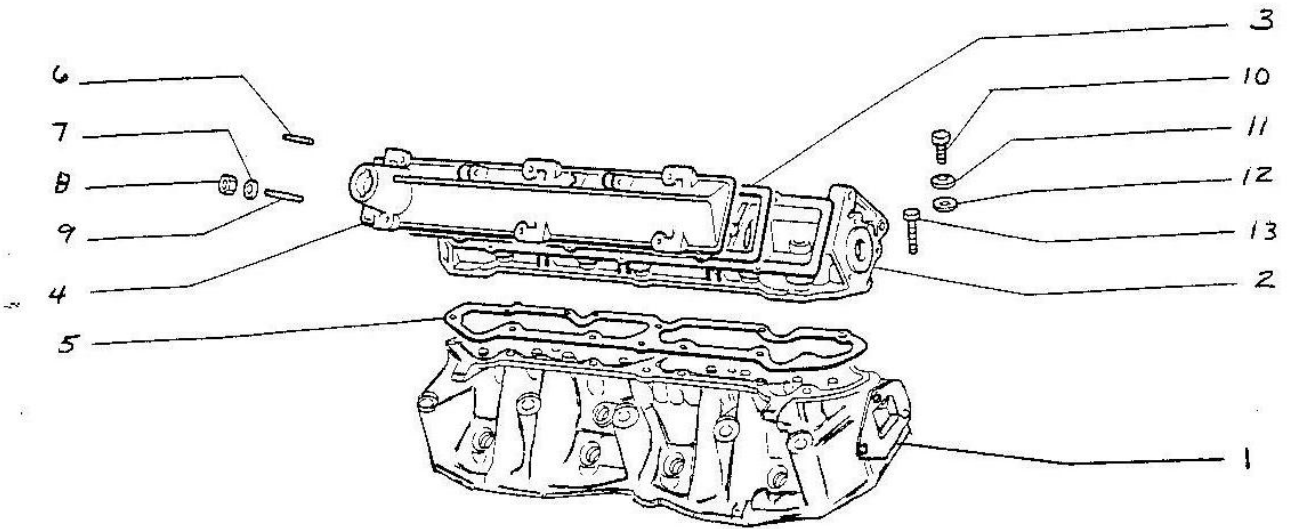


Power Plant Mounts

- 1. 4468878 Rod Mount 74-88
- 2. 4296944 Support 74-88
- 3. 4466362 Front Motor Mount 74-88
- 4. 4448747 Rear Motor Mount 75-80  
Carbur.
- 4448910 Rear Motor Mount 80-88  
F.I.
- 5. 4293446 Rear Support 74-88



CAM COVER & CYLINDER HEAD

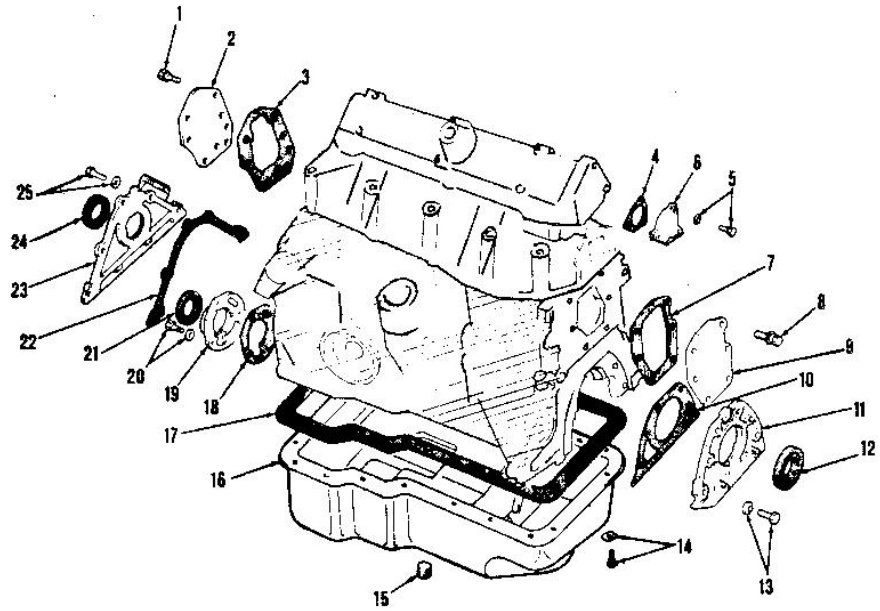


- 1. 4307307 Cylinder Head 74 to vett 48860 California
- 4307307 Cylinder Head 74 to vett 64975 49 States
- 5882716 Cylinder Head 85 Nov. to Motor # 5750182
- 5882834 Cylinder Head 85 from Motor # 6007753 to 88

**NOTE:** ALL OTHER HEADS NOT AVAILABLE

- |                                     |                           |
|-------------------------------------|---------------------------|
| 2. 5984920 Cam Housing 74-88        | 10. 16045030 Bolt 74-75   |
|                                     | 16045024 Bolt 76-88       |
| 3. 4448677 Cam Cover Gasket 74-88   | 11. 11193874 Washer 74-88 |
| 4. 4297945 Cover 74-78              | 12. 12638620 Washer 74-88 |
| 5. 7709721 Cam Housing Gasket 74-88 | 13. 11101121 Bolt 74-88   |
| 6. 13541521 Stud 74-9/83            |                           |
| 13587321 Stud 10/83-88              |                           |
| 7. 11197774 Washer 74-88            |                           |
| 8. 12574211 Nut 74-88               |                           |
| 9. 13541311 Stud 74-9/83            |                           |
| 13589821 Stud 10/83-88              |                           |

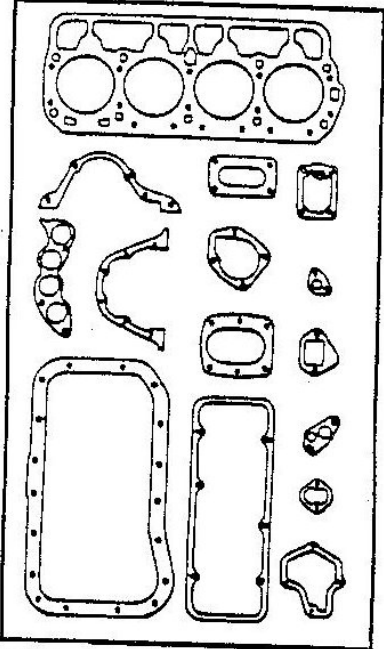
CRANKCASE COVER & OIL PAN



- |   |   |
|---|---|
| 1. 13825721 Not Available 74-78<br>13632524 Bolt 79-88                | 13. 11197774 Washer 74-88   |
| 2. 4218079 Not Available 74-78<br>4254030 Cover 79-88                 | 14. 10902521 Bolt 74-88<br>11197774 Washer 74-88  |
| 3. 7574867 Cover Gasket Upper 74-78<br>7575660 Gasket 79-88           | 15. 10275001 Drain Plug 74-88<br>10281585 Gasket 74-88  |
| 4. 7702980 Cover Gasket Rear 74-88                                    | 16. 4248962 Oil Pan 74-88   |
| 5. 10902921 Bolt 74-88<br>11197774 Washer 74-88                       | 17. 4252789 Oil Pan Gasket 74-88  |
| 6. 4211978 Not Available 74-88  | 18. 4195119 Front Crank Gasket 74-88  |
| 7. 5937499 Rear Gasket 74-78<br>5937811 Gasket 79-88                  | 19. 4195117 Front Crank Cover 74-88   |
| 8. 10902231 Bolt 74-88  | 20. 10902231 Bolt 74-88<br>11197774 Washer 74-88  |
| 9. 4218076 Rear Plate 74-78<br>4396561 Rear Cover 79-88               | 21. 40004460 Front Crank Seal 74-88   |
| 10. 4302267 Gasket 74-88  | 22. 4179043 Gasket 74-88  |
| 11. 4302266 Cover 74-March 80<br>4472696 Rear Crank Cover April 80-88 | 23. 7604395 Cover 74-78<br>7604399 Front Crank Cover 79-Mar 80<br>4472703 Front Crank Cover April 80-88 |
| 12. 40004350 Rear Crank Seal 74-88                                    | 24. 40004340 Seal 74-88   |
| 13. 10902421 Bolt 74-88   | 25. 10902421 Bolt 74-88<br>11197774 Washer 74-88  |

ENGINE GASKETS CONNECTING RODS & PISTONS

NOTE: All Gasket Sets include Oil Seals,  
Head Gasket and Valve Seals.  
NEW: Gasket Sets are asbest free!



ENGINE GASKET SET

- 5881121 x1/9 1300
- 5881685 x1/9 1500 Carb.

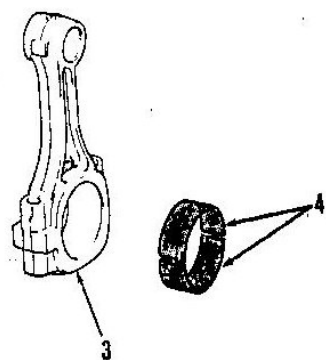
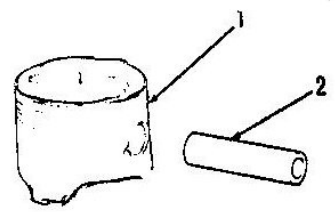
CYLINDER HEAD GASKET SET

- 5881128 x1/9 1300
- 5881686 x1/9 1500

SINGLE GASKETS

- 4448677 Cam Cover x1/9 all
- 7709721 Cam Housing x1/9 all
- 4448401 Cyl.Head Gasket 1300-78
- 4434864A Cyl.Head Gasket 1500 79 up to Eng.No.4037356
- 7589788 Cyl.Head Gasket 1500 up Eng.No. 4037356
- 7684082 Intake/Exhaust Manif. f. Carb. Models
- 4459766 Intake/Exhaust Manif. f. F/I Models
- 4252789 Oil Pan Gasket all Models

1. 5880981 Std.Piston 74-78  
5880983 2mm Oversize Piston 74-78  
5881016 Std.Piston 79 to Motor #5940145  
5882957 Std.Piston Motor #5940146 to 88
2. 5996626 Pin 74 to Motor #5940145  
7579530 Pin Motor #5940146 to 88
3. 4472697 Connecting Rod 74-78  
4361213 Connecting Rod 79-88
4. 7597964 Std.Connecting Rod BRG 74-88  
7597966 .254 Connecting Rod BRG 74-88  
7597967 .504 Connecting Rod BRG 74-88  
5961713 .762 Connecting Rod BRG 74-88

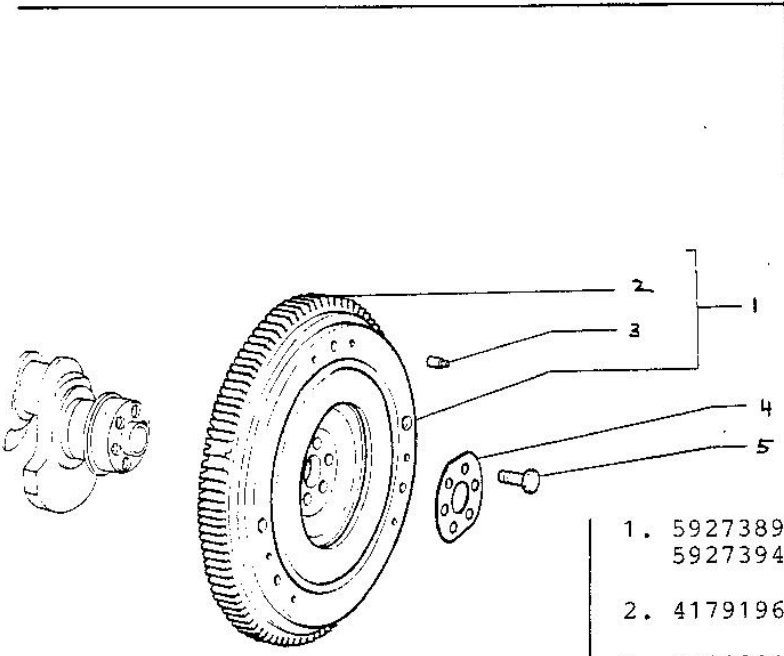
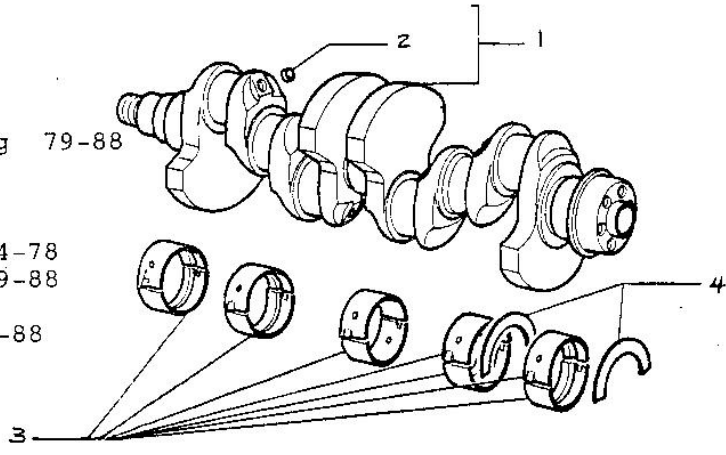


Piston Ring Sets

- 1900791 Std.Set 74-78
- 1900792 .2 Set 74-78
- 5880960 Std Set 79-88
- 5880961 .2 Set 79-88
- 5880962 .4 Set 79-88
- 5880963 .6 Set

**C R A N K S H A F T & F L Y W H E E L**

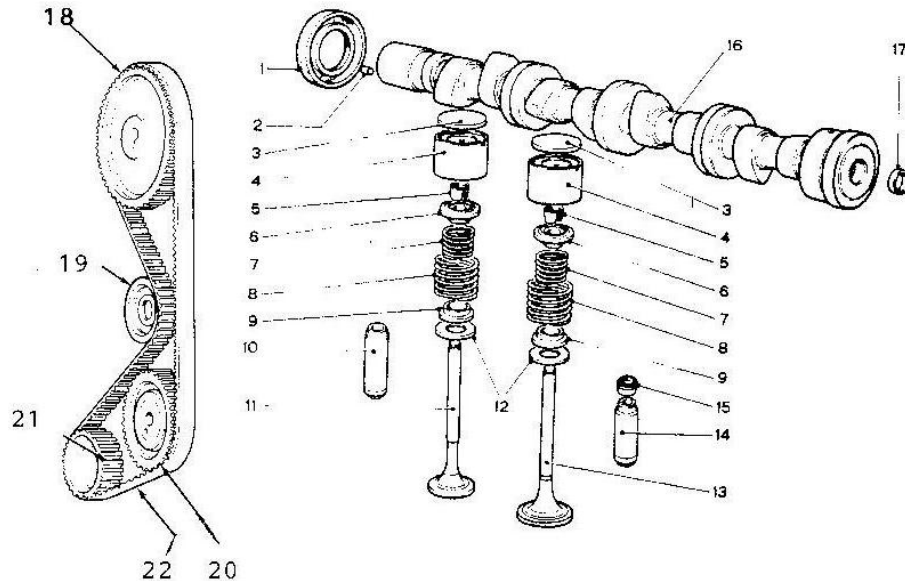
- 1. 5880911 Crankshaft 74-78  
5880920 Crankshaft W/Bearing 79-88
- 2. 14328201 Plug 74-88
- 3. 902144 Std Main Bearing Set 74-78  
5881022 Std Main Bearing Set 79-88
- 4. 902160 Thrust Ring Set 74-88



- 1. 5927389 Flywheel Motor# 2050999 to 78  
5927394 Flywheel 79-88
- 2. 4179196 Ringgear 74-78
- 3. 4111201 Dowel 74-78
- 4. 4242654 Spacer 74-88
- 5. 14348670 Bolt 74-88



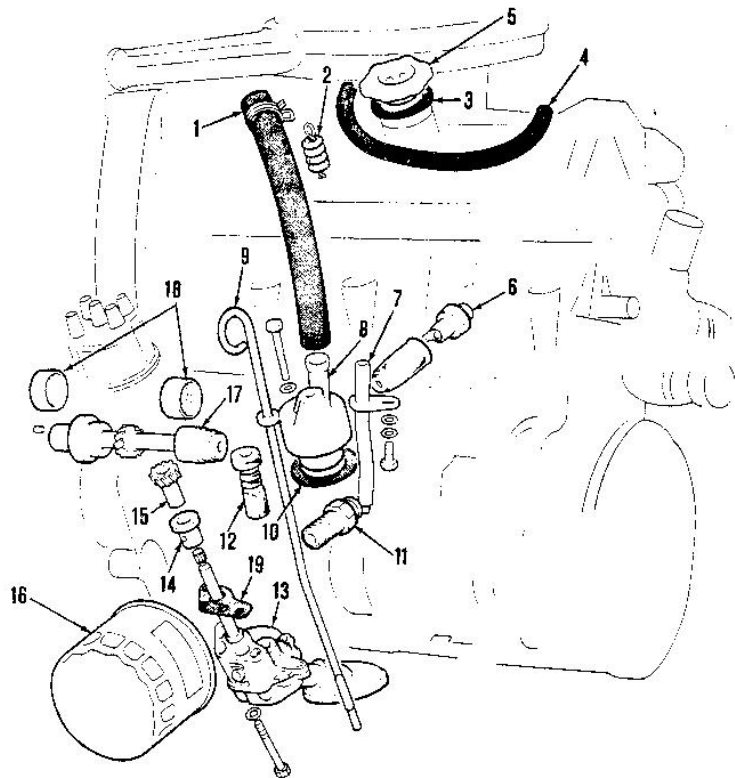
CAM SHAFT & TIMING GEARS



- |     |  |                    |                          |
|-----|--|--------------------|--------------------------|
| 1.  | 40004460   | Front Cam Seal     | 74-88                    |
| 2.  | 4130961  | Dowel              | 74-88                    |
| 3.  | 3.25mm to 4.80mm Sizes Required<br>Valve Shims 74 up |                    |                          |
| 4.  | 4152447  | Cam Lifter         | 74-88                    |
| 5.  | 14196870   | Lock Cone          | 74-88                    |
| 6.  | 4166789  | Valve Cup          | 74-88                    |
| 7.  | 4134900  | Inner Valve Spring | 74-88                    |
| 8.  | 4388579  | Outer Valve Spring | 74-88                    |
| 9.  | 4123210  | Valve Washer       | 74-75                    |
|     | 4123209  | Valve Washer       | 76-78                    |
|     | 4371517  | Valve Washer       | 79-88                    |
| 10. | 4372486  | Std Valve Guide    | 74-88                    |
|     | 4372160  | Std Valve Guide    | 79-88                    |
| 11. | 5973128  | Exhaust Valve      | 74-78                    |
|     | 5973129  | Exhaust Valve      | 79-88                    |
| 12. | 4123210  | Valve Washer       | 74-78                    |
|     | 4372020  | Valve Washer       | 79-88                    |
| 13. | 4460697  | Intake Valve       | 74-88                    |
| 14. | 4372486  | Std Valve Guide    | 74-78                    |
|     | 4372160  | Std Valve Guide    | 79-88                    |
| 15. | 5930415  | Valve Stem Seal    | 74-88                    |
| 16. | 4254188  | Cam Shaft          | 74 up to Motor #1916305  |
|     | 7547601  | Cam Shaft          | 74 From Motor #1916306   |
| 17. | 14328401   | Plug               | 74-88                    |
| 18. | 4312882  | Not Available      | 1974                     |
|     | 4196813  | Cam Shaft Gear     | 76 From Vett #4196813    |
|     | 5923060  | Cam Shaft Gear     | 79-88                    |
| 19. | 4320893  | Tension Bearing    | 74-78 From Motor#1858248 |
|     | 4386575  | Tension Bearing    | 79-88                    |
| 20. | 4380706  | Camshaft Gear      | 74-78                    |
|     | 5926177  | Camshaft Gear      | 79-88                    |
| 21. | 5920501  | Crank Shaft Gear   | 74-78                    |
|     | 4409876  | Crank Shaft Gear   | 79-88                    |
| 22. | 4176840  | Timing Belt        | 74-78                    |
|     | 4242396  | Timing Belt        | 79-88                    |

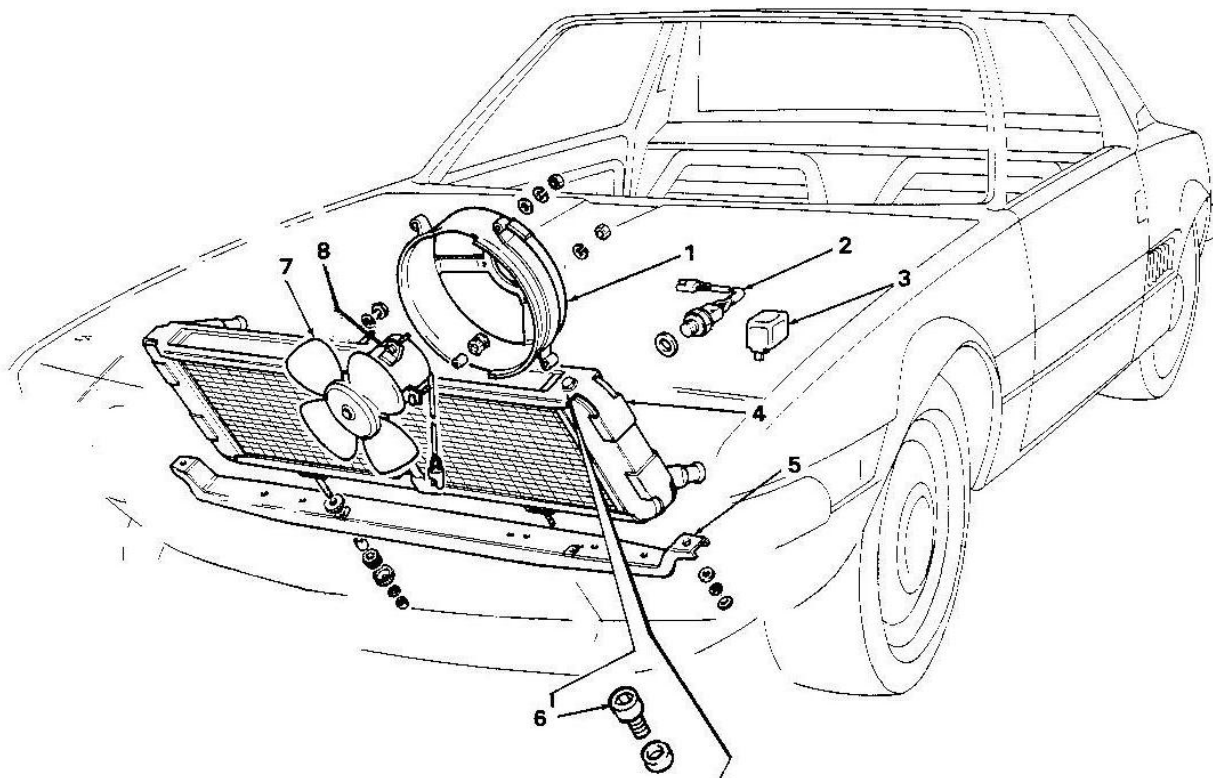
LUBRICATION

- 1. 4306784 Breather Hose
- 2. 4159642 Flame Trap
- 3. 4161222 Oil Cap Gasket
- 4. 19053082 Blow-by Hose
- 5. 4391106 Oil Filler Cap
- 6. 4459907 Oil Pressure Switch
- 7. 4253060 Oil Return Pipe
- 8. 7604426 Cyclonic Trap
- 9. 4342733 Oil Dip Stick
- 10. 4158100 Cyclonic Gasket
- 11. 7554819 Oil Filter Connector
- 12. 4102056 Dip Stick Seal
- 13. 5963608 Oil Pump
- 14. 4129982 Oil Pump Bushing
- 15. 4310029 Drive Gear
- 16. 354 Oil Filter
- 17. 4194651 Auxiliary Shaft
- 18. 7596370 14mm W Auxiliary Shaft  
7630337 18mm W Auxiliary Shaft Bearings
- 19. 4179138 Gasket



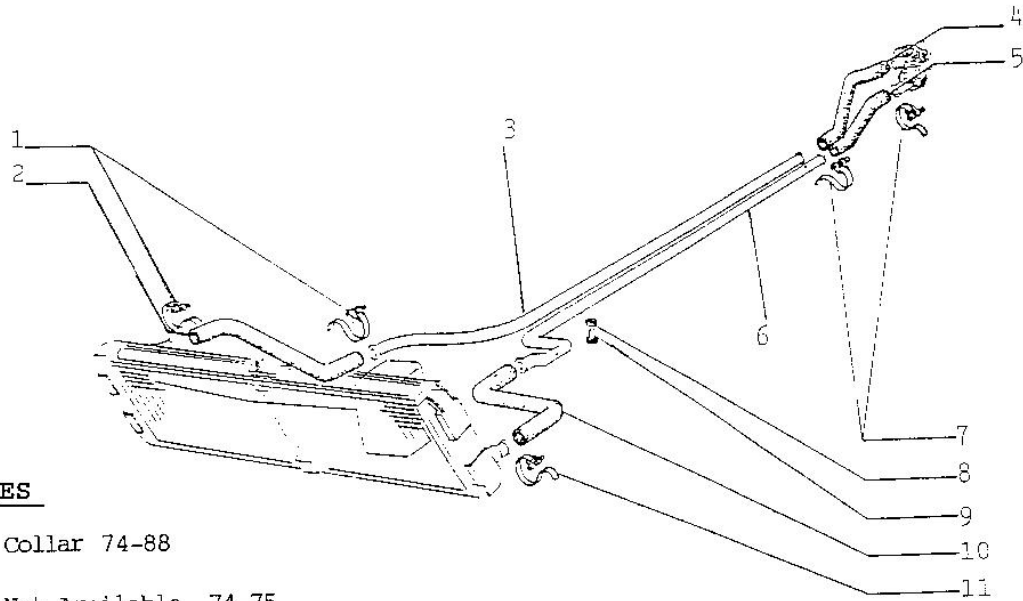
ALL MODELS  
1974-1988

COOLING RADIATOR & FAN NO AIR



- |    |          |                     |                    |  |  |
|----|----------|---------------------|--------------------|--|--|
| 1. | 4293526  | N.A.                | 1974 to Vett.13995 |  |  |
|    | 4337880  | Conveyor            | Vett.13996 - 78    |  |  |
|    | 4425754  | Conveyor            | 1979-88            |  |  |
| 2. | 4318331  | Radiator Fan Switch | 74-77              |  |  |
|    | 4398094  | Radiator Fan Switch | 1978               |  |  |
|    | 4424393  | Radiator Fan Switch | 79-88              |  |  |
| 3. | 82300045 | Fan Relay           | 74-77              |  |  |
|    | 7686773  | Fan Relay           | 78-88              |  |  |
| 4. | 4431310  | Radiator            | 74-88              |  |  |
| 5. | 4297172  | Crossrail           | N.A. 74-75         |  |  |
|    | 4345350  | Crossrail           | 76-78              |  |  |
|    | 4424411  | Crossrail           | 79-88              |  |  |
| 6. | 9933128  | Bleed Screw         | 74-88              |  |  |
|    | 9933129  | Bleed Gasket        | 74-88              |  |  |
| 7. | 4296255  | N.A.                | 74-78              |  |  |
|    | 4425146  | Fan & Motor Assy    | 79-88              |  |  |
| 8. | 4296254  | Fan Motor           |                    |  |  |
|    | 4340297  | Fan Motor           | 75-78              |  |  |
|    | 4425146  | Fan & Motor Assy    | 79-88              |  |  |

COOLING SYSTEM

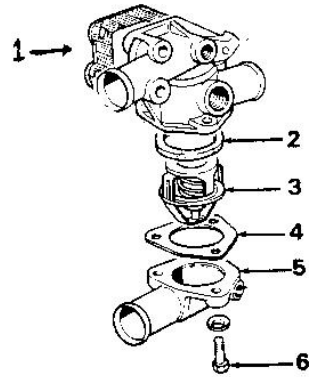


**COOLING PIPES**

- |  |   |
|--|---|
| <ul style="list-style-type: none"> <li>1. 13000690 Collar 74-88</li> <li>2. 4300972 Not Available 74-75<br/>4425809 Hose 76-88</li> <li>3. 4246394 Right Cooling Pipe 74-88</li> <li>4. 4301394 Not Available 74-78<br/>4395610 Hose 79-88</li> <li>5. 4395609 Hose 74-88</li> <li>6. 4246395 Left Cooling Pipe 74-88</li> <li>7. 13000690 Collar 74-88</li> </ul> | <ul style="list-style-type: none"> <li>8. 10298360 Washer 74-75</li> <li>9. 92062283 Bolt 74-75</li> <li>8&amp;9. 13824024 Bolt &amp; Washer 76-88</li> <li>10. 4300971 Hose 74-75<br/>4425808 Hose 76-88</li> <li>11. 13000690 Collar 74-88</li> </ul> |
|--|---|

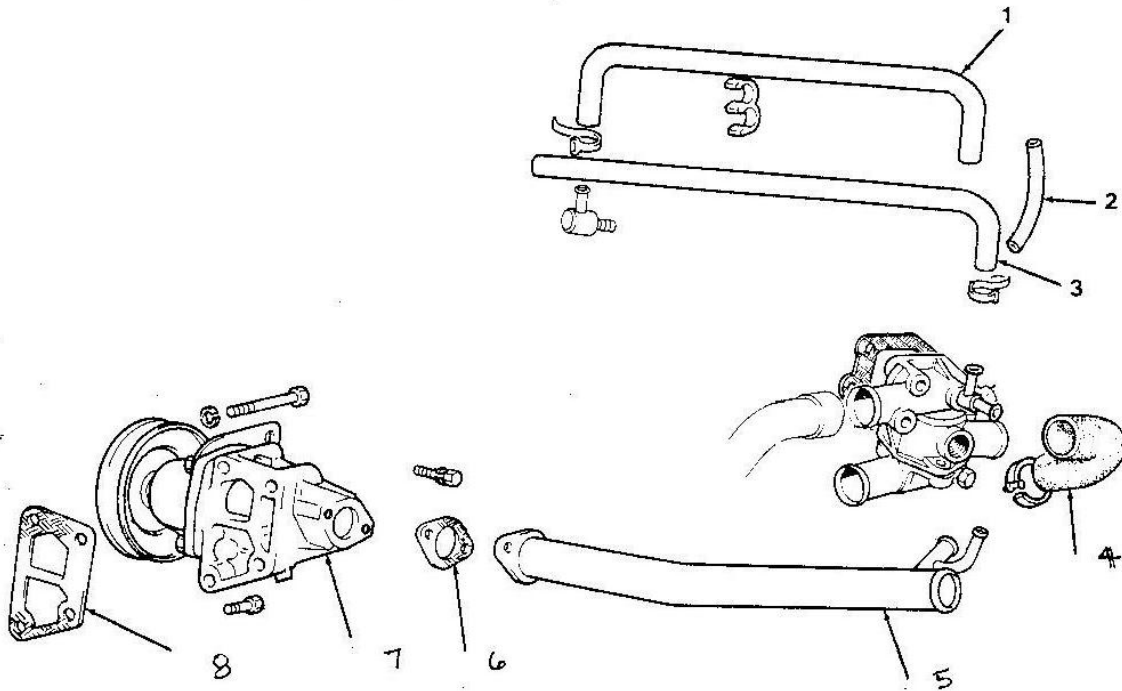
**THERMOSTAT**

- 1. 4398013 Gasket 74-88
- 2. 4184495 Seal 74-88
- 3. 4222883 Thermostat 74-88
- 4. 4259971 Gasket 74-88
- 5. 4252970 Thermostat Housing 74-88
- 6. 14305424 Bolt 74-88





WATER PUMP

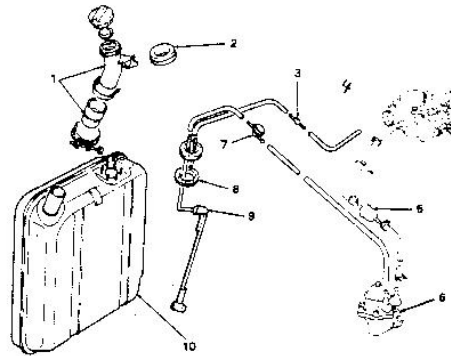


- |    |          |               |                        |
|----|----------|---------------|------------------------|
| 1. | 19022987 | Sleeve        | 74-78                  |
|    | 4415406  | Not Available | 79-80                  |
| 2. | 4426915  | Not Available | 79-80                  |
| 3. | 4313883  | Not Available | 75-78                  |
| 4. | 7533916  | By Pass Hose  | 74-88                  |
| 5. | 4193956  | Pipe          | 74-78                  |
|    | 4429588  | Pipe          | 79-80 Carb.            |
|    | 4407010  | Pipe          | 80-88 F.I.             |
| 6. | 4193959  | Gasket        | 74-88                  |
| 7. | 4329406  | Water Pump    | 74 to vett 62095       |
|    | 4429226  | Water Pump    | vett 62096 to 80 Carb. |
|    | 7671810  | Water Pump    | with A/C 79-88         |
|    | 7691042  | Water Pump    | 80-88                  |

**FUEL SYSTEM TANK PUMP LINES LINKAGE**

**CARB. FUEL SYSTEM**

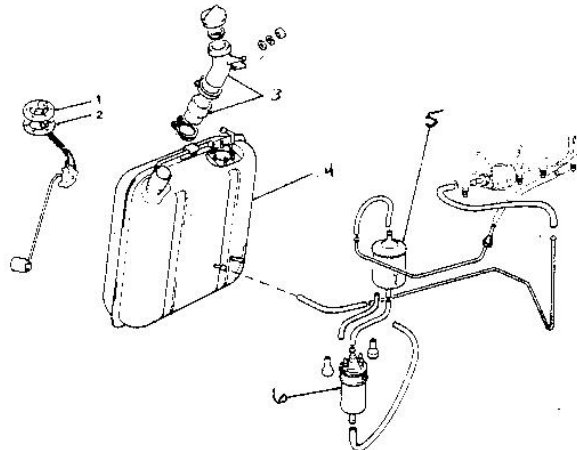
1. 4266248 Gask Tank Filler Hose 74-79
2. 4129400 Filler Neck Gasket 74-79
3. 7574103 Valve 76079
4. See Carb Section
5. 4323062A Fuel Filter 74-79
6. 4334838A Fuel Pump 74-79
7. 4226204 Valve 74-75  
4362497 Valve 76-77  
4388570 Valve 1978
8. 992273 Fuel Tank Sender Gskt 74-79
9. 4466517 Fuel Tank Sender 74-79
10. 4266244 Fuel Tank 74-79



VEHICLES WITH CARBURETOR

**INJECTION FUEL SYSTEM**

1. 4443220 Fuel Tank Sender 80-88
2. 992273 Fuel Tank Sender Gskt 80-88
3. 4396744 Filler Neck Hose 80-88
4. 4466262 Fuel Tank 80-88
5. 4442559 Fuel Filter 80-88
6. 4460646 Electric Fuel Pump 80-88

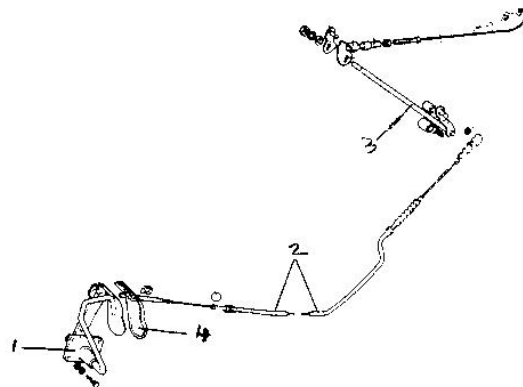


VEHICLES WITH FUEL INJECTION

FUEL TANK AND LINES

**ACCELERATOR**

1. 4358034 Pedal Assembly 74-78 / 4425013 Pedal Assembly 79-88
2. 4418706A Inner Cable 74-78  
4418708A Outer Cable 74-78  
4425017 Accelerator Cable 79-88
3. 4315432 Shaft 74 to Vett.2500463  
4419453 Shaft Vett.2500464 to 1978  
4420774 Not Available 1979  
4422190 Shaft 80-88
4. 4300771 Pedal Pad 74-88





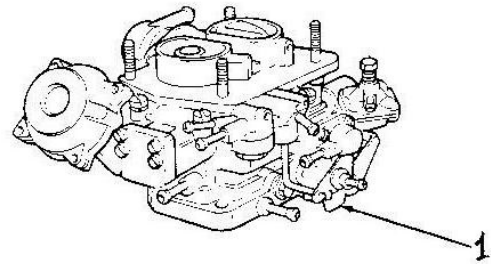
FUEL SYSTEM - CARBURETOR

NEW CARBURETORS

- 4362693 1975 - 78
- 4397526 CA with air
- 4450714 49 State with air
- 4450714 CA no air

REBUILT CARBURETORS

- 4345036A 1974
- 4262693A 1975 - 78
- 4450714A CA no air



NOTE : Due to the detail of the carburetor parts we just list the assembly. For further information refer to the x1/9 shop-manual: Part No.: 3399

CARBURETOR OVERHAUL KITS

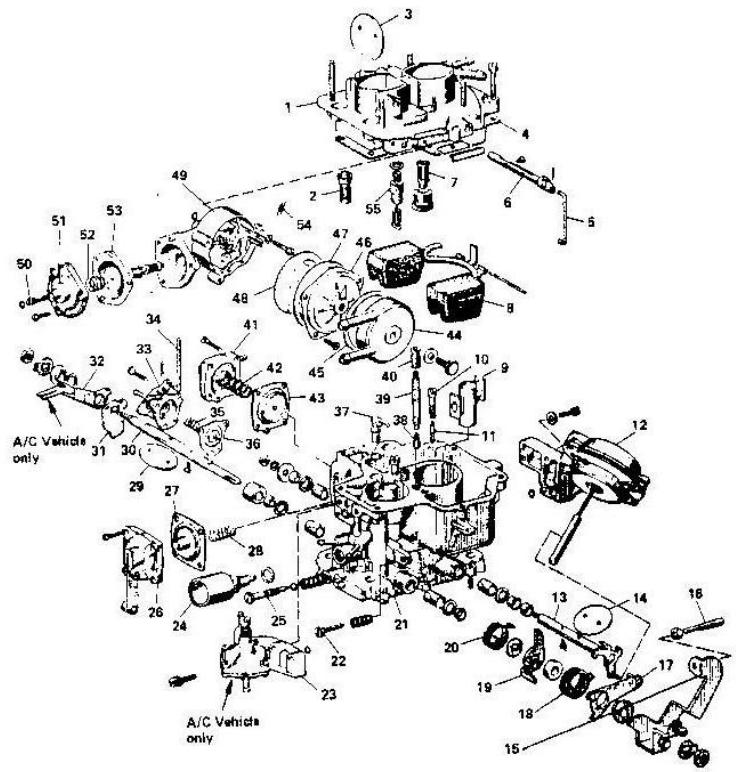
9927087 Gasket Kit 1974  
 Minor & Major Kits not available  
 Rebuilt Carburetors only

9927902 Gasket Kit 1975-78

9927903 Minor Kit 1975-78

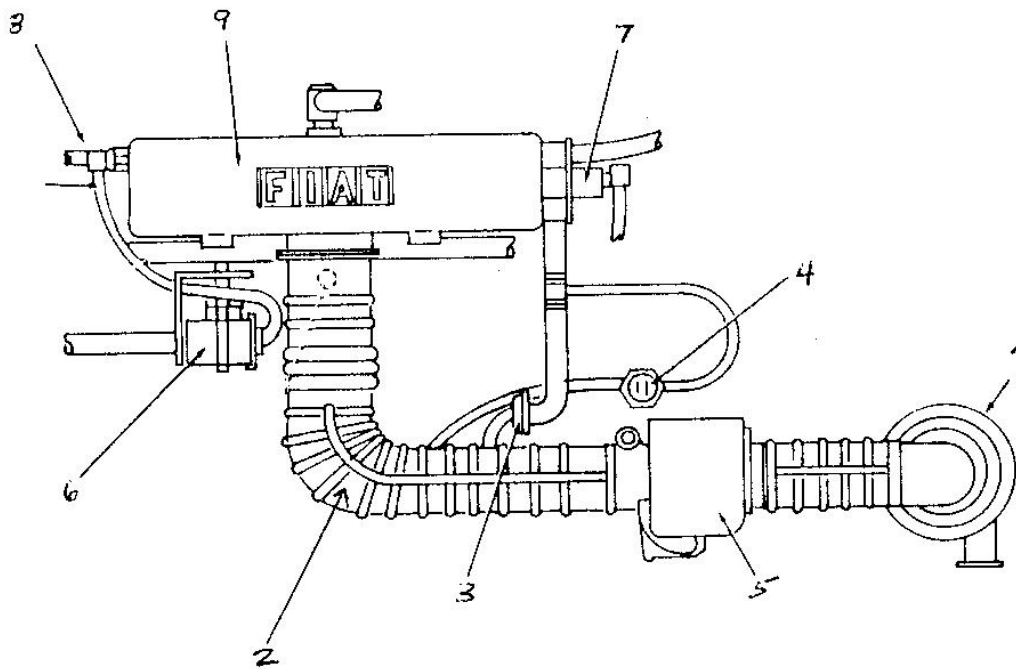
9928299 Major Kit 1975-78

9936508 / 9936508 / 9936511  
 All three kits must be ordered  
 to Rebuild Carburetors.



9928288 Solenoid all 1500 CC.

FUEL INJECTION SYSTEM



- 1. 4452333 Air Filter Assy. 80-88
- 2. 4448092 Hose 80-85
- 3. 4429208 Electro Valve 80-88
- 4. 5933433 Electro Valve 80-88
- 5. 5920388 Air Flow Meter 80 California
- 6. 4430290 Pressure Regulator
- 7. 7579289 Cold Start Injector 80-88
- 8. 4463604 Connection 80-8 No Air
- 9. 4448160 Intake Manifold 80-88

NOT SHOWN: Electric Control Unit  
 5934558 80-82  
 5997043 83-88  
 Throttle Body Switch  
 All Injected Cars  
 4430294

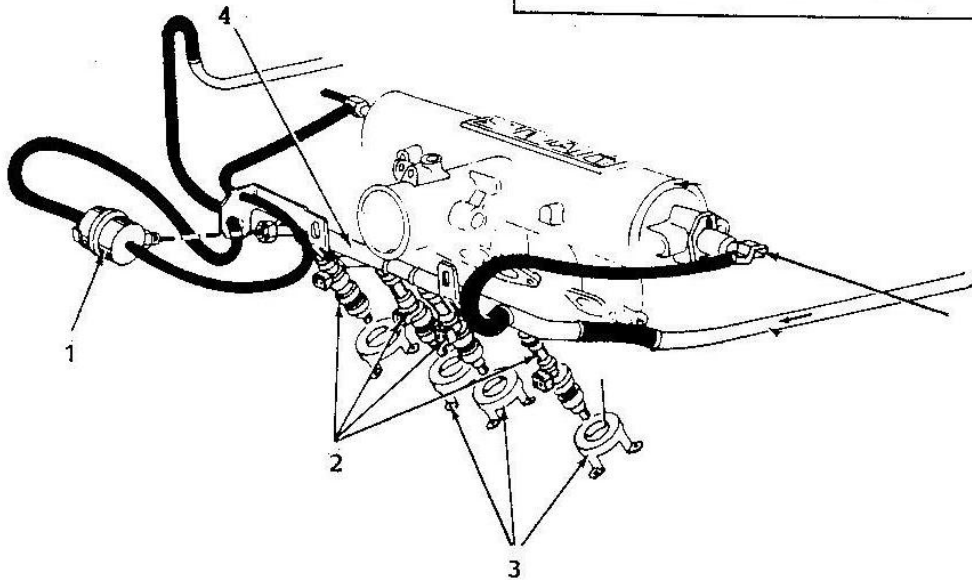
AIR FILTERS:

- 4371573 1300cc
- 4434951 1500cc
- 403 1500cc Fuel Injected

FUEL INJECTION SYSTEM

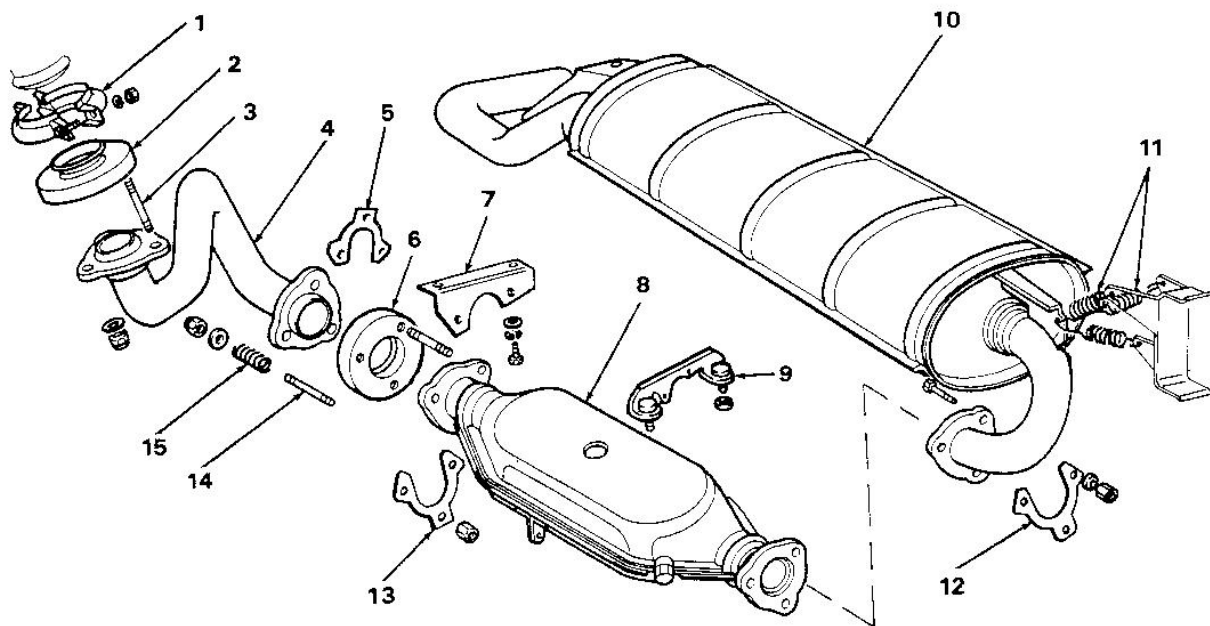
Note: If replacing injectors  
always replace the injector seals

4454145 Large Seal  
4393592 Small Seal



1. 4430290 Pressure Regulator 80-88
2. 4430293 Injector 80-88
3. 4454146 Injector Bracket 80-88
4. 4444535 Injector Rail Assembly

MUFFLER CARB. TYPE

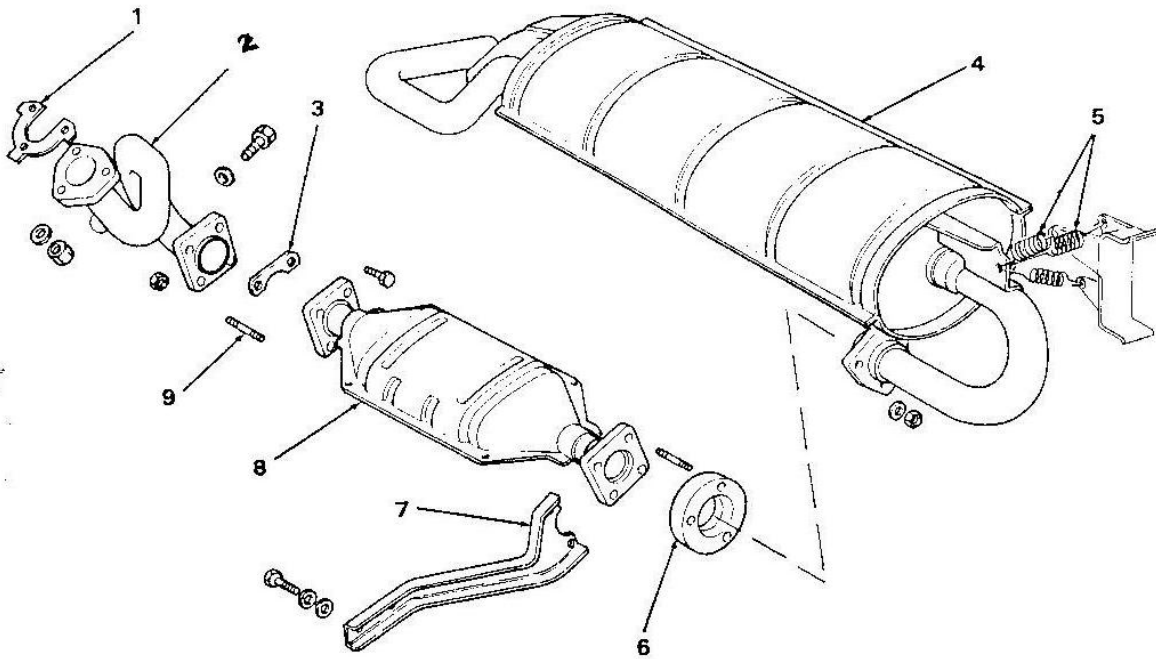


- |     |            |                          |       |
|-----|------------|--------------------------|-------|
| 1.  | 4177251    | Manifold Clamp           | 75-79 |
| 2.  | 4344196    | Manifold Flange          | 75-79 |
| 3.  | 4348986    | Stud                     | 75-79 |
| 4.  | 4419196    | Exhaust Pipe to Manifold | 75-79 |
| 5.  | 4341426    | Lock Plates              | 75-79 |
| 6.  | 4344198    | Not Available            | 75-79 |
| 7.  | 4344199    | Mounting Bracket         | 75-79 |
| 8.  | 4432465    | Catalytic Converter      | 75-79 |
| 9.  | Japan Only | Mounting Bracket         | 75-79 |
| 10. | 4344176    | Muffler                  | 75-79 |
| 11. | 4353794    | Muffler Springs          | 75-79 |
| 12. | 4341426    | Lock Plates              | 75-79 |



- |     |         |                  |       |
|-----|---------|------------------|-------|
| 13. | 4341426 | Lock Plates      | 75-79 |
| 14. | 4348986 | Stud             | 75-79 |
| 15. | 4398140 | Mounting Springs | 75-79 |
| 16. | 4345952 | Thermo Couple    | 75 on |

MUFFLER FUEL INJECTION TYPE



1. 4341426 Lock Plate 80-88
2. 4443534 Exhaust Pipe t.Manifold 80-88
3. 4442177 Lock Plate 80-88
4. 4466265 Muffler 80-88
5. 4353794 Muffler Springs 80-88
6. 4466274 Flange 80-88
7. 4443555 Not Available
8. 4454006A Catalytic Converter 80-88
9. 13517035 Stud 80-88

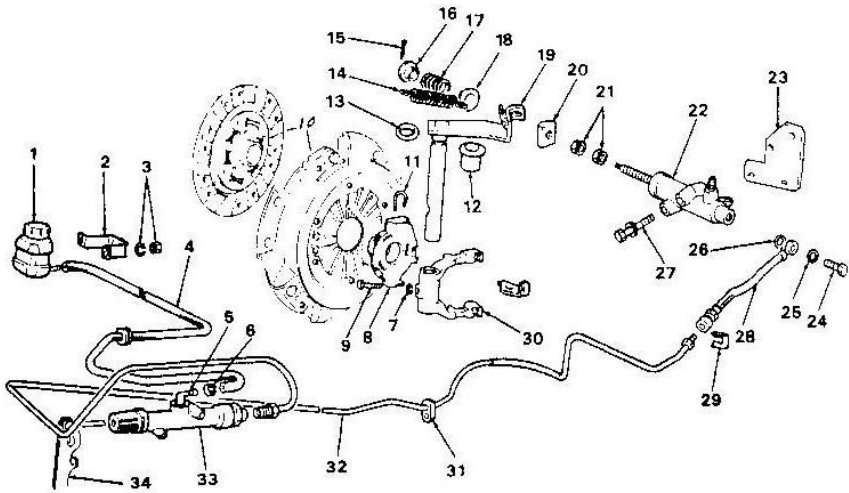
A U X I L I A R Y   D R I V E R S

1. 7581316 Alternator Belt No A/C 74 to 88  
4393665 Alternator Belt W. A/C 79 to 11/79  
4475930 Alternator Belt Set W. A/C from 12/79  
to 80 Carb.  
4475930 Alternator Belt Set W. A/C from 12/79 injected  
to vett 130298  
7604704 Alternator Belt W.A/C from vett 130299  
to 88
2. 4313554 Smog Pump Belt 74 to vett 62095  
4389563 Smog Pump Belt vett 62096 to 78 CA.79 49 States  
4429053 Smog Pump Belt 79 CA.80 49 States
3. 4310403 Compressor Belt QTY-2 75-78  
4446617 Compressor Belt 79 to 11/79  
4467845 Compressor Belt vett 130299 to 88
4. 7618732 Water Pump Belt vett 130299 to 88
5. 4176840 Timing Belt 74-78  
4242396 Timing Belt 79-88





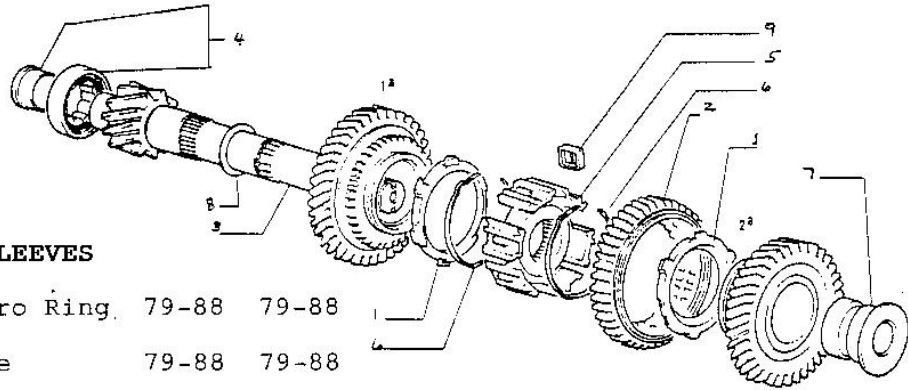
CLUTCH COMPONENTS



- |  |  |
|--|--|
| <ul style="list-style-type: none"> <li>1. 5892232 Fluid Reservoir 74-85</li> <li>2. 4195619 Bracket 74-85</li> <li>3. 12574211 Nut 74-85</li> <li>4. 4302093 Hose 74-85</li> <li>5. 4140259 Connector 74-85</li> <li>6. 13000390 Clamp 74-85</li> <li>7. 10516674 Washer 74-85</li> <li>8. 7681283 Throwout Bearing 74-85</li> <li>9. 4200713 Bolt 74-85</li> <li>10. 4309911A Pressure Plate 1300<br/>5882503 Disc. 1300<br/>5971076 Disc. 1500<br/>Cover 1500 (see assemblies)</li> <li>11. 4127040 Spring 74-85</li> <li>12. 4108077 Bushing 74-85</li> <li>13. 4120686 Seal 74-85</li> <li>14. 4300566 Spring 74-78</li> <li>15. 10734201 Cotter Pin 74-85</li> <li>16. 4427475 Bushing 79-85</li> <li>17. 4427474 Spring 79-85</li> <li>18. 4427475 Bushing 79-85</li> <li>19. 4300565 Clutch Lever 74-78</li> <li>20. 4425814 Joint Threaded 79-85</li> <li>21. 16100811 Nut 79-85</li> <li>22. 4412832A Slave Cyl. 74-85</li> <li>23. 4428297 Support Bracket</li> <li>24. 4045041 Banjo Bolt 74-85</li> <li>25. 60071319 Washer 74-85</li> <li>26. 60071319 Washer 74-85</li> <li>27. 16044134 Bolt 74-78</li> </ul> | <ul style="list-style-type: none"> <li>28. 4451108 Flex Hose 74-85</li> <li>29. 994922 Lock Plate 74-85</li> <li>30. 4190619 Release Fork 74-85</li> <li>31. 4297030 Not Available</li> <li>32. 5930410 Hydraulic Line 74-85</li> <li>33. 790890A Master Cyl. 74-85</li> <li>34. 4358936 Clutch Pedal 74-85</li> </ul> |
|--|--|

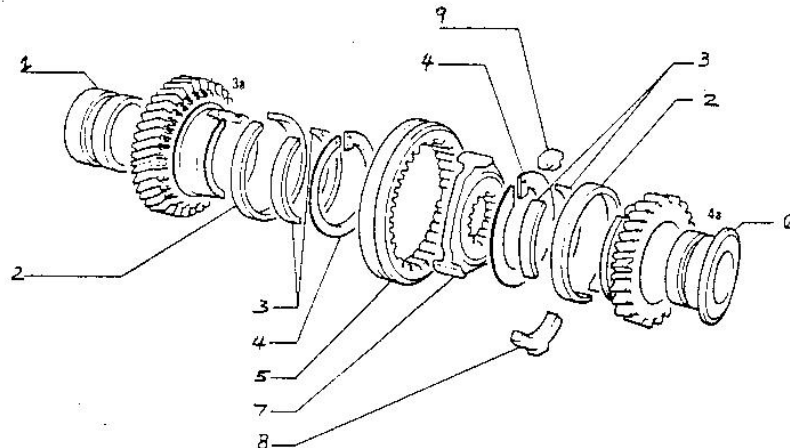
<b>CLUTCH ASSEMBLIES</b>		
<b>(Disc and Cover)</b>		
5888352	1300	4 Speed
5888353	1500	5 Speed

**5 SPEED TRANSMISSION**



**SYNCHRO RINGS & SLEEVES**

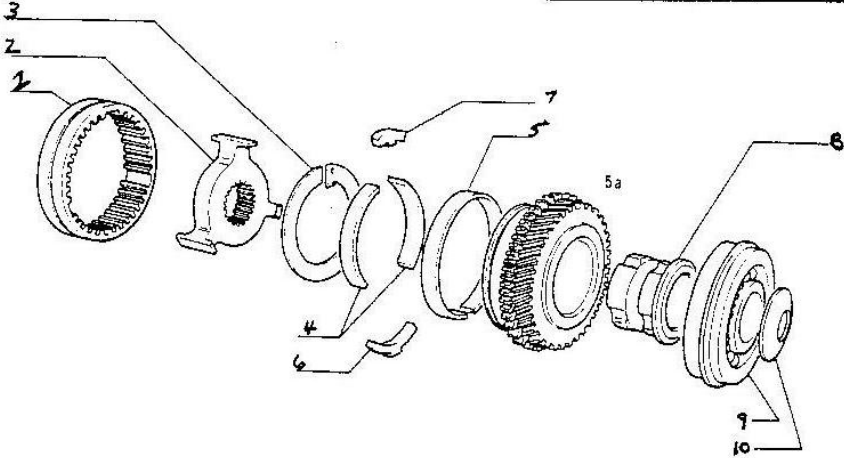
1. 4375691	Synchro Ring	79-88	79-88		
2. 5932930	Sleeve	79-88	79-88		
3. 4407707	Secondary Trans. Shaft	79-88			
4. 4470201	Bearing	79-88		7. 4242488	Bushing 79-88
5. 4367853	Synchro Hub	79-88		8. 4242487	Bushing 79-88
6. 4451151	Spring	79-88		9. 4451150	Pad 79-88



1. 4242489	Bushing	79-88		5. 4366610	Sleeve 79-88
2. 7627578	Synchro Ring	79-88		6. 4242490	Bushing 79-88
3. 4183876	Clip	79-88		7. 4392620	Synchro Hub 79-88
4. 4183888	Lock Ring	79-88		8. 5990699	Pad 79-88
				9. 5990700	Pad 79-88

SYNCHRO RINGS & SLEEVES

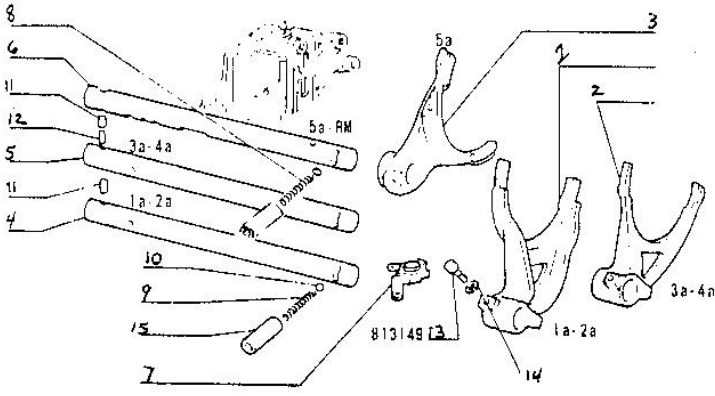
Note: 5882008 Gasket Set With  
Seals 79-88



- |    |           |              |       |
|----|-----------|--------------|-------|
| 1. | 4092083   | Synchro Ring | 79-88 |
| 2. | 4393742   | Synchro Hub  | 79-88 |
| 3. | 4414407   | Snap Ring    | 79-88 |
| 4. | 4092094   | Clip         | 79-88 |
| 5. | 967003340 | Synchro Ring | 79-88 |
| 6. | 5990697   | Pad          | 79-88 |
| 7. | 5990698   | Pad          | 79-88 |
| 8. | 4368286   | Bushing      | 79-88 |
| 9. | 7631313   | Shim         | 79-88 |

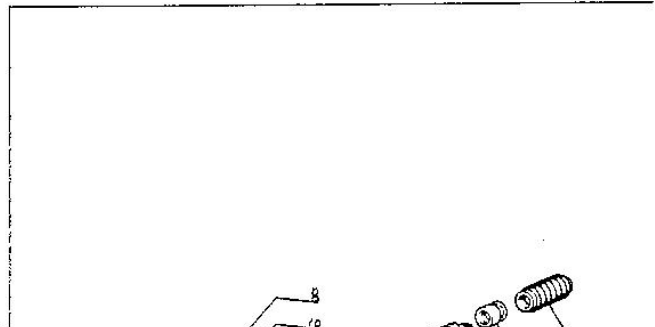
For Main Shafts & Gears Due To The  
Many Modifications Please Inquire  
By Phone Or Fax.

TRANSMISSION 5 SPEED



- 1. 4366764 1st 2nd Fork 79-88
- 2. 4392821 3rd 4th Fork 79-88
- 3. 4375474 5th Fork 79-88
- 4. 4304626 1st 2nd Shift Rod 79-88
- 5. 4185981 3rd 4th Shift Rod 79-88
- 6. 4466648 5th Shift Rod 79-88
- 7. 4408887 Shift Support 79-88
- 8. 983027 Spring 79-88

- 9. 4451153 Spring 79-88
- 10. 20419310 Ball 79-88
- 11. 874761 Shift Rod Pin 79-88
- 12. 873093 Roller 79-88
- 13. 813149 Bolt 79-88
- 14. 11197774 Washer 79-88
- 15. 4467557 Bushing 79-88

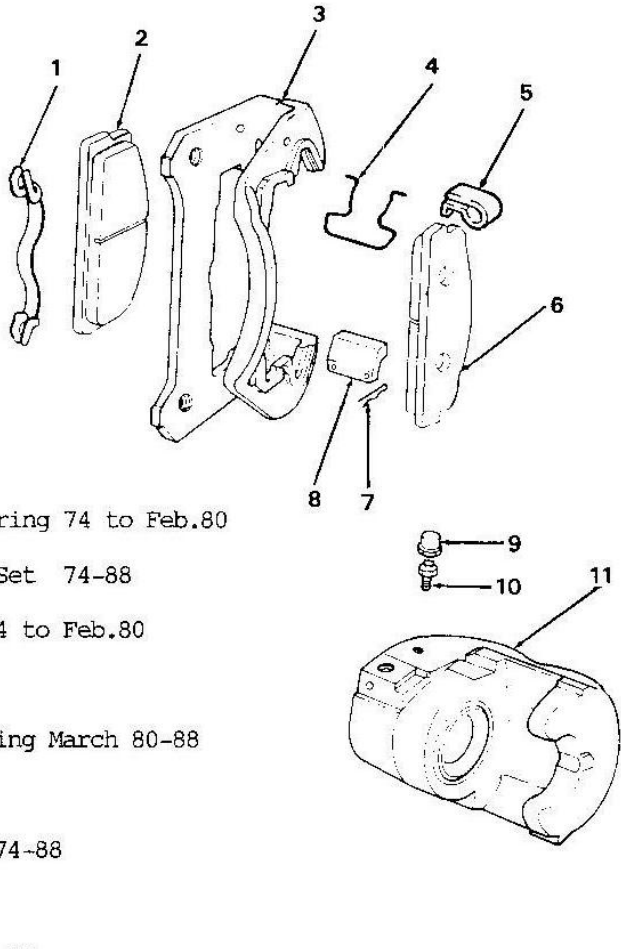


- 1. 7553185 Shift Fork 79-88
- 2. 4349983 Shift Dog 79-88
- 3. 4349982 Shift Dog 79-88
- 4. 4290805 Not Available 79-88
- 5. 4290801 Shift Rod 79-88
- 6. 4451676 Bushing 79-88

- 7. 4401404 Boot 79-88
- 8. 4170541 Bolt 79-88
- 9. 813149 Bolt 79-88
- 10. 11197774 Washer 79-88



FRONT BRAKES

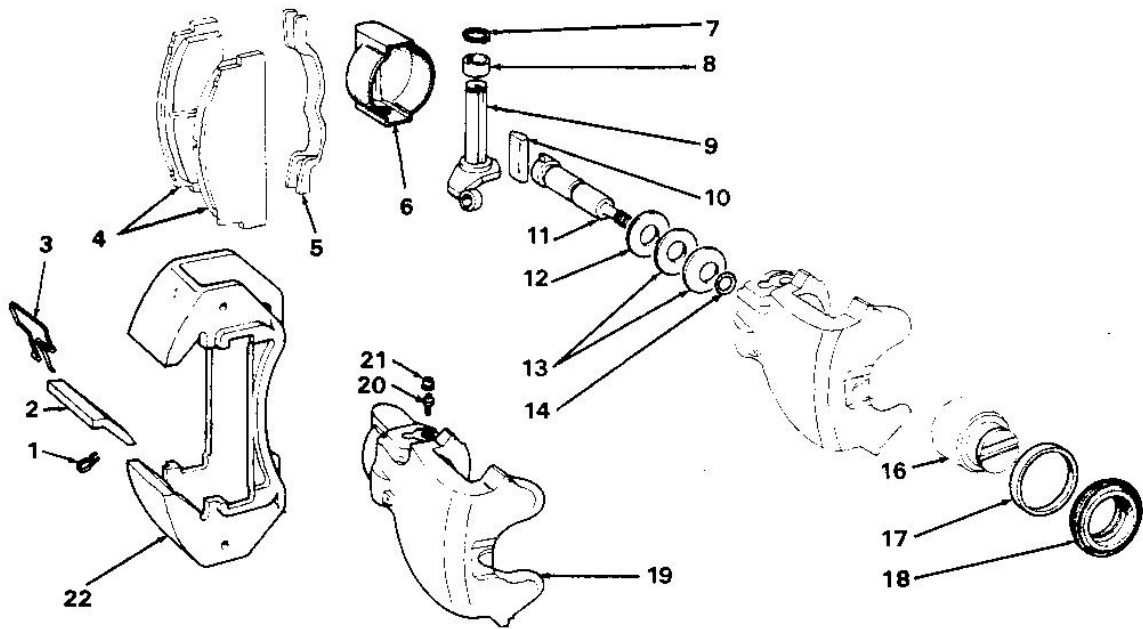


- 1. 4255059 Caliper Spring 74 to Feb.80
- 2. 5888154 Brake Pad Set 74-88
- 3. 4374463 Bracket 74 to Feb.80
- 4. See Kits
- 5. 790118 Caliper Spring March 80-88
- 6. See item No. 2
- 7. 790122 Cotter Pin 74-88
- 8. See Kits
- 9. 790142 Dust Cap 74-88

- 10. 791411 Bleeder Screw 74-88
- 11. 790330 Left Caliper 74-78  
790331 Right Caliper 74-78  
790329 Left Caliper 79-88  
790328 Right Caliper 79-88
- 12. 790332 Left Cylinder 74-78  
790333 Right Cylinder 74-78
- 13. See Kits
- 14. See Kits

- K I T S
- 5880267 74-75 items: 1,4,7,8
  - 792550 76-88 items: 1,4,8
  - 792549 74-78 items: 13,14
  - 5880999 76-78 items: 12,13,14
  - 792543 79-88 items: 13,14

R E A R   B R A K E S



- 1. 790122 Cotter Pin 74-88
- 4. 5888155 Brake Pads 74-88
- 19. 790478 Left Brake Caliper 74-88  
790479 Right Brake Caliper 74-88
- 20. 791411 Bleeder Screw 74-88
- 21. 790142 Dust Cap 74-88
- 22. 4374463 Support Bracket 74-88

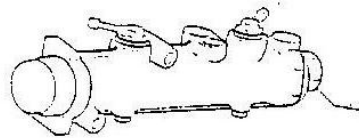
All other items are supplied in kits only

K I T S

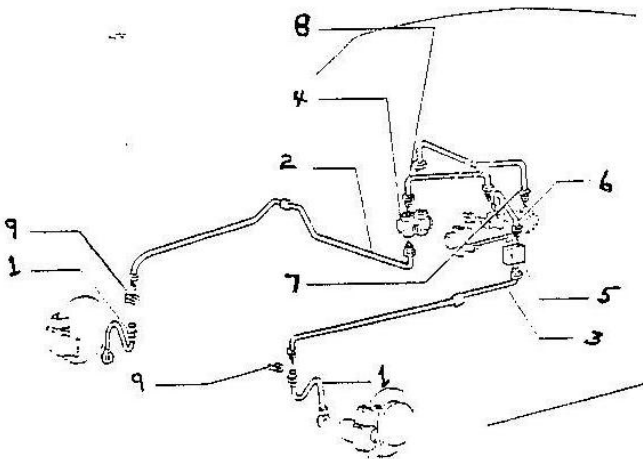
- Items 1,2,3,5 792548 74-88
- Items 6,17,18 792544 74-88
- Items 16,17,18 5880997 74-88
- Items 6,7,8,9,10,11,12,13,14 792545 Right Kit 74-88
- Items 6,7,8,9,10,11,12,13,14 792546 Left Kit 74-88

**MASTER CYLINDER & BRAKE LINES**

Part #	Description	Model Year
4395377	Master Cylinder	74-88



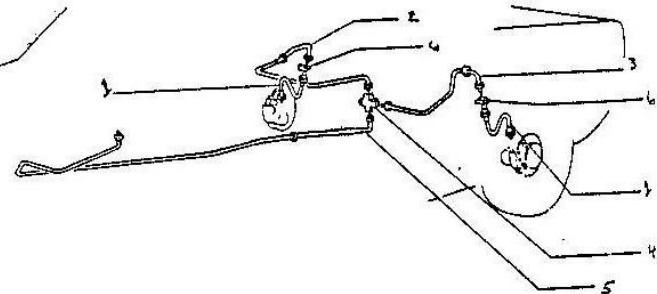
**FRONT BRAKE LINES**



Part #	Description	Model Year
1. 4464149	Front Caliper Hose	74-78
4428541	Front Caliper Hose	79-88
2. 4467689	R.Caliper Line Metal	vett 45875-88
3. 4467691	L.Caliper Line Metal	76-88
4. 4363348	Not Available	76-88
5. 4337004	Connection	76-88
6. 4467697	Pipe	76-88
7. 4467699	Pipe	vett 45875-88
8. 4467695	Not Available	vett 45875-88
9. 994922	Lock Plate	74-88

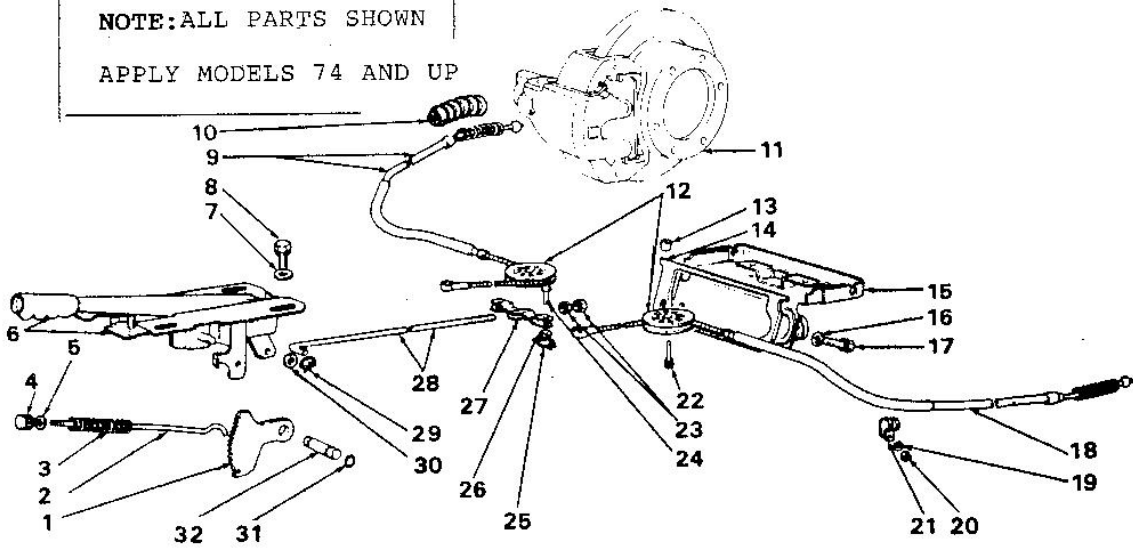
**REAR BRAKE LINES**

Part #	Description	Model Year
1. 5937834	Rear Caliper Hose	74-88
2. 4467701	R.Caliper Line Metal	74-88
3. 4467703	L.Caliper Line Metal	74-88
4. 4077589	Connector	74-88
5. 4311606	Not Available	74 to vett 45874
4467693	Brake Line Metal	vett 45875
6. 994922	Lock Plate	74-88



H A N D B R A K E

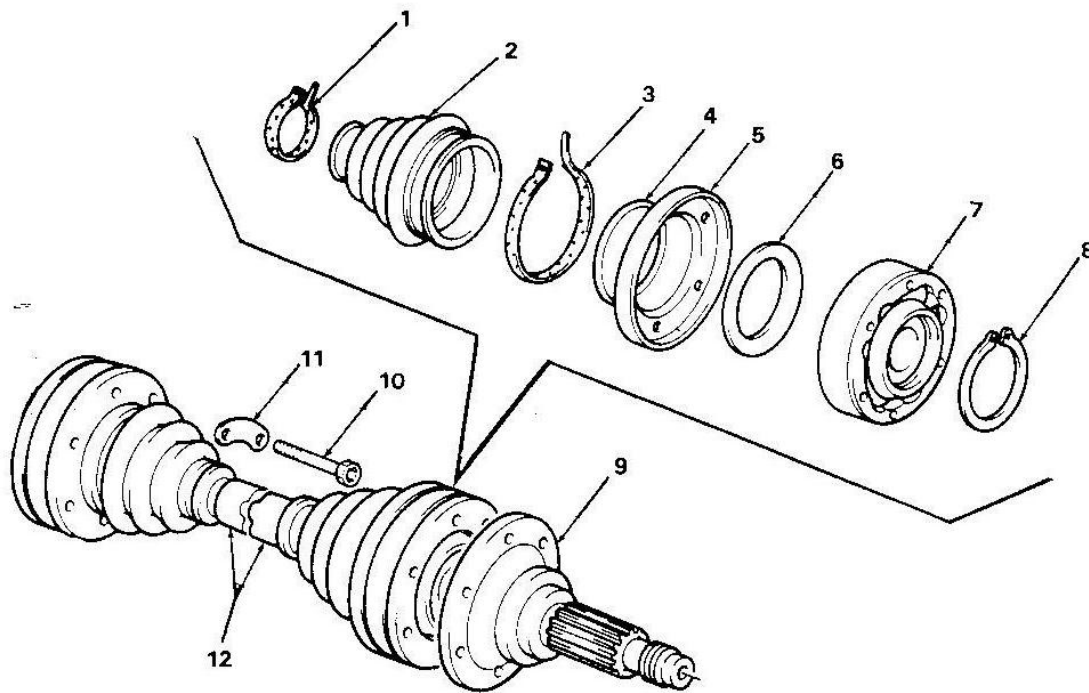
NOTE: ALL PARTS SHOWN  
APPLY MODELS 74 AND UP



- |              |               |              |               |
|--------------|---------------|--------------|---------------|
| 1. 972486    | Ratchet       | 17. 13824611 | Bolt          |
| 2. 4207884   | Not Available | 18. 4264913  | Brake Cable   |
| 3. 857808    | Spring        | 19. 11197774 | Lock Washer   |
| 4. 4119397   | Button        | 20. 12574211 | Nut           |
| 5. 4119398   | Gasket        | 21. 10418601 | Clamp         |
| 6. 4344701   | Lever Assy    | 22. 13826424 | Bolt          |
| 7. 12638620  | Washer        | 23. 14084811 | Nut           |
| 8. 13632624  | Bolt          | 24. 4296027  | Not Available |
| 9. 4264913   | Brake Cable   | 25. 4058800  | Clip          |
| 10. 4158012  | Boot          | 26. 4058802  | Washer        |
| 11. 4385812  | Brake Rotors  | 27. 4269140  | Lever         |
| 12. 4069007  | Pulley        | 28. 4271586  | Swing Arm     |
| 13. 4134610  | Spacer        | 29. 4058800  | Clip          |
| 14. 4289620  | Gasket        | 30. 4058802  | Washer        |
| 15. 4289618  | Not Available | 31. 13400773 | Not Available |
| 16. 12643701 | Washer        | 32. 857810   | Pin           |

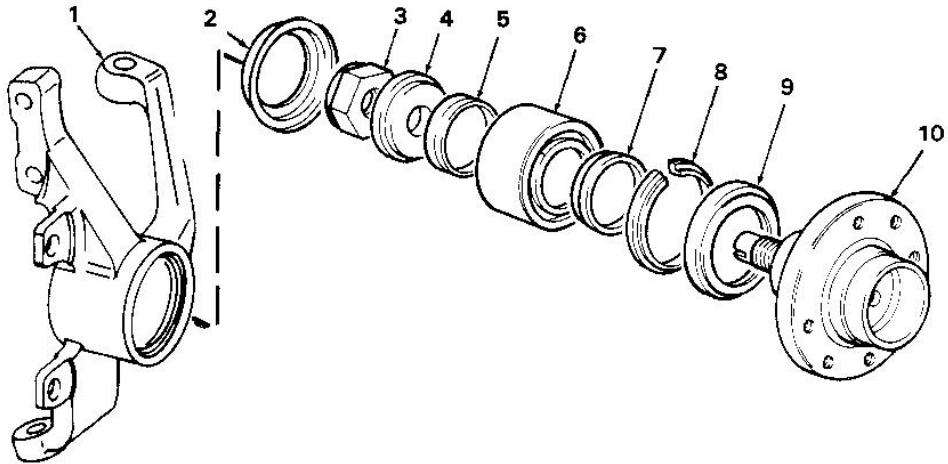


AXLE SHAFTS



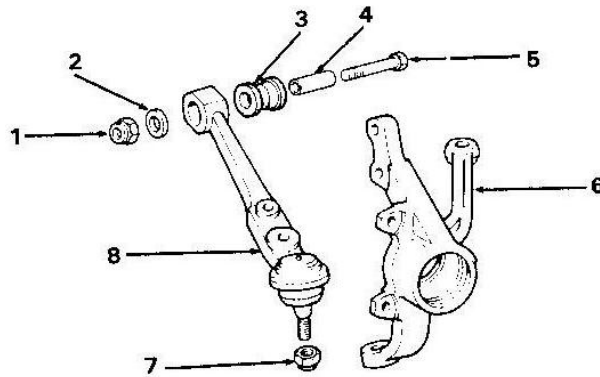
- |    |          |                |       |     |                                 |
|----|----------|----------------|-------|-----|---------------------------------|
| 1. | 13429308 | CV Joint Clamp | 79-88 |     |                                 |
| 2. | 82282140 | CV Joint Boot  | 79-88 |     |                                 |
| 3. | 4315447  | CV Joint Clamp | 79-88 |     |                                 |
| 4. |          | Not Available  | 79-88 | 7.  | 92601892 CV Joint 79-88         |
| 5. | 4315445  | Sleeve         | 79-88 | 8.  | 4315450 Circlip 79-88           |
| 6. | 4315449  | Washer         | 79-88 | 9.  | 4311711 N.A. See Assembly 79-88 |
|    |          |                |       | 10. | 4393157 Diff. Bolt 79-88        |
|    |          |                |       | 11. | 4315446 Lock Plate 79-88        |
|    |          |                |       | 12. | 4404472 Right Axle Assy 79-88   |
|    |          |                |       |     | 4395940 Left Axle Assy 79-88    |

FRONT SUSPENSION



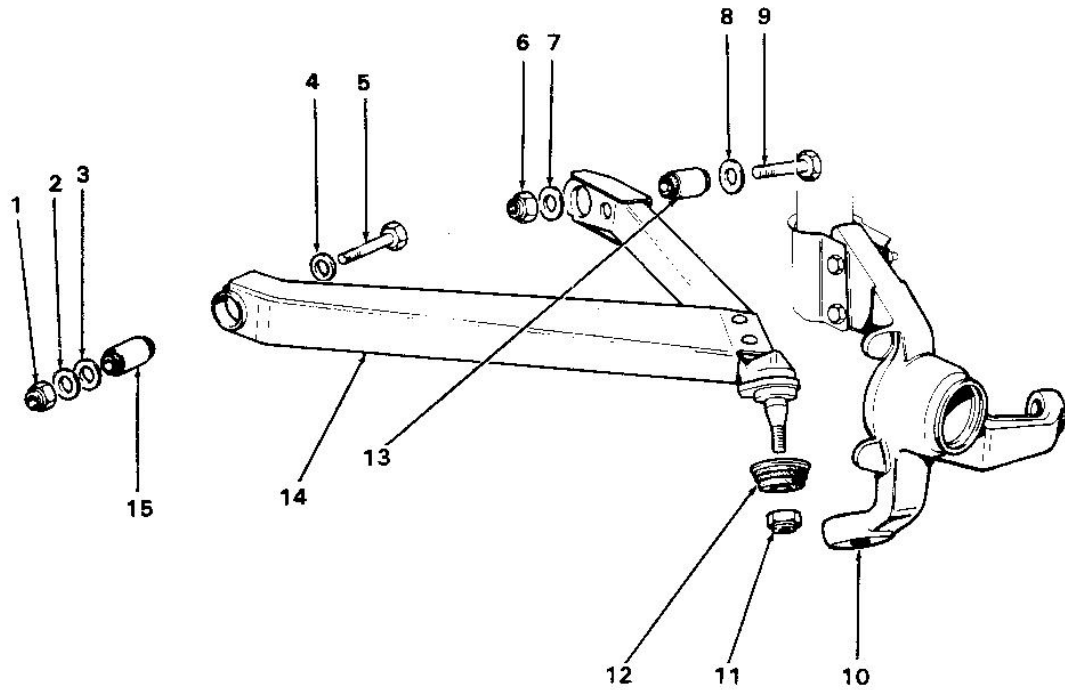
- |    |          |                        |                    |     |         |               |                    |
|----|----------|------------------------|--------------------|-----|---------|---------------|--------------------|
| 1. | 4352896  | Left Steering Knuckle  | 74-78              | 8.  | 4443881 | Lock Ring     | 74 to vett 43880   |
|    | 4352897  | Right Steering Knuckle | 74-78              |     | 4354049 | Lock Ring     | fr.vett 43881-78   |
|    | 7535184  | Left Steering Knuckle  | 79-88              |     | 5988269 | Lock Ring     | 79-88              |
|    | 7535185  | Right Steering Knuckle | 79-88              |     |         |               |                    |
| 2. | 4390950  | Thrust Ring            | 79-88              | 9.  | 5988270 | Thrust Ring   | 79-88              |
| 3. | 4307325  | Axle Nut               | 74-88              | 10. | 4310891 | Not Available | 74 to vett 43880   |
| 4. | 4328473  | Not Available          | 74-78              |     | 4354341 | Hub           | from vett 43881-78 |
|    | 4393729  | Washer                 | 79-88              |     | 4393728 | Hub           | 79-88              |
| 5. | 4354048A | Gasket                 | 74-78              |     |         |               |                    |
|    | 4374303  | Gasket                 | 79-88              |     |         |               |                    |
| 6. | 5937306  | Front Wheel Bearing    | 74-78              |     |         |               |                    |
|    | 7634573  | Front Wheel Bearing    | 79-88              |     |         |               |                    |
| 7. | 4354048A | Gaskets                | from vett 43881-78 |     |         |               |                    |
|    | 4374303  | Gasket                 | 79-88              |     |         |               |                    |

FRONT CONTROL ARM



1. 15503721 Nut 74-85
2. 4269482 Washer 74-85
3. 7601260 Bushing 74-85
4. 4269111 Not Available 74-85
5. 890414 Bolt 74-85
6. 4352896 Left Pillar 74-78  
4352897 Right Pillar 74-78  
7535184 Left Pillar 79-85  
7535185 Right Pillar 79-85
7. 16105111 Nut 74-85
8. 4366059 Right Control Arm 74-85  
4366061 Left Control Arm 74-85

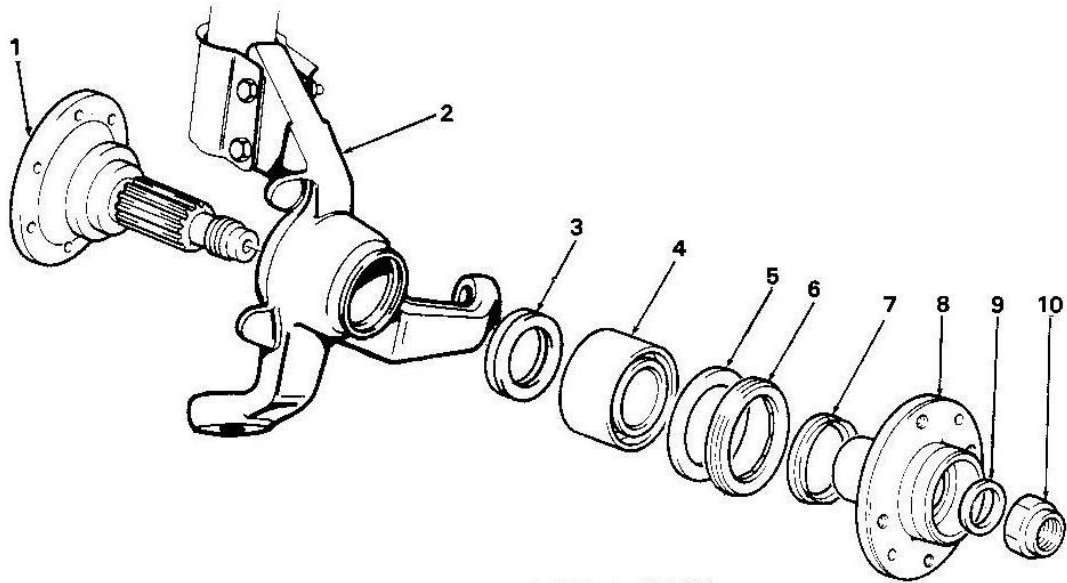
REAR SUSPENSION



- 1. 15503911 Nut 74-85
- 2. 12644901 Washer 74-85
- 3. 4290108 Washer 74-85
- 4. 4290108 Washer 74-85
- 5. 4290106 Bolt 74-85
- 6. 15503911 Nut 74-85
- 7. 12644901 Washer 74-85
- 8. 4290108 Washer 74-85
- 9. 4290106 Bolt 74-85

- 10. 4344062 Left Piller 74-78  
4344063 Right Piller 74-78  
4343535 Left Piller 79-85  
4343536 Right Piller 79-85
- 11. 15503911 Nut 74-85
- 12. 4175217 Boot 74 to Vett 72181  
4366712 Boot From Vett 72182 84
- 13. 4290107 Bushing 74-85
- 14. 4377787 Right Control Arm 74-85  
4395946 Left Control Arm 74-85
- 15. 4290107 Bushing 74-85

REAR PILLAR



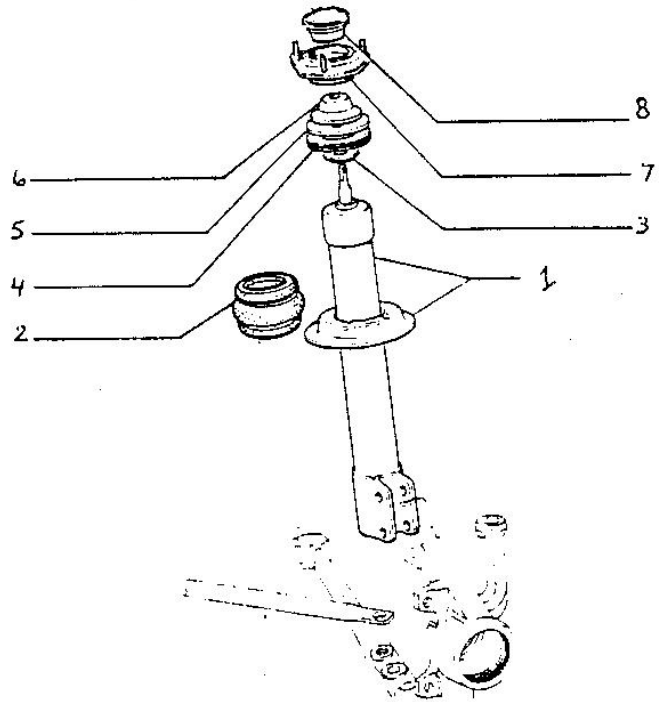
EXPLODED VIEW OF REAR PILLAR

1.	4311711	Stub Axle	79-88	
2.	4344062	Left Knuckle	74-78	
	4344063	Right Knuckle	74-78	
	4343535	Left Knuckle	79-88	
	4343536	Right Knuckle	79-88	
3.	4314976	O.Ring	79-88	
4.	5937306	Bearing	74-78	
	82374669	Bearing	79-88	
5.	4311721	Shield	79-88	
6.	4443881	Ring Nut	74 to vett 043880	
	4354049	Ring Nut	vett 043881 to 78	
	4352900	Ring Nut	79-88	
7.	4354048A	O.Ring	74-78	
	4314976	O.Ring	79-88	
8.	4285502	Not Available	74 to vett 043880	
	4399777	Hub	vett 043881 to 78	
	4352899	Hub	79-88	
9.	4307324	Washer	74-88	
10.	4307325	Axle Nut	74-88	

S H O C K S

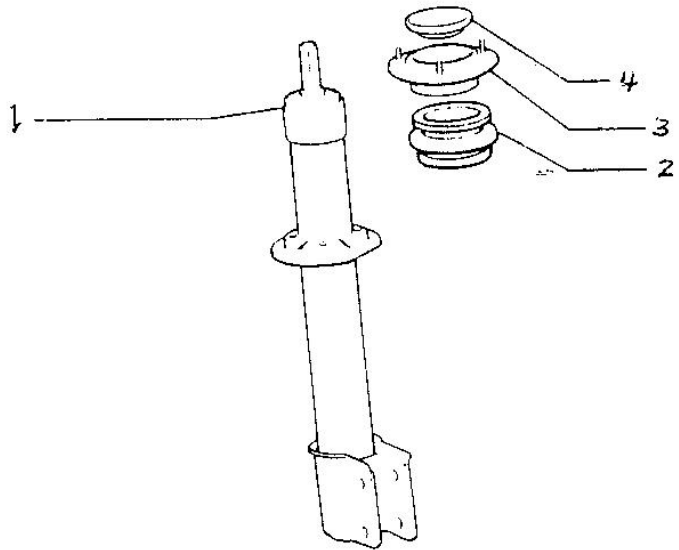
FRONT

- |    |         |              |       |
|----|---------|--------------|-------|
| 1. | 4425931 | Front Shock  | 74-88 |
| 2. | 4233917 | Mount        | 74-88 |
| 3. | 4269881 | Thrust Plate | 74-88 |
| 4. | 4188714 | Gasket       | 74-88 |
| 5. | 4289219 | Washer       | 74-88 |
| 6. | 4289220 | Spacer       | 74-88 |
| 7. | 4228209 | Shock Mount  | 74-88 |
| 8. | 4289221 | Cap          | 74-88 |



REAR

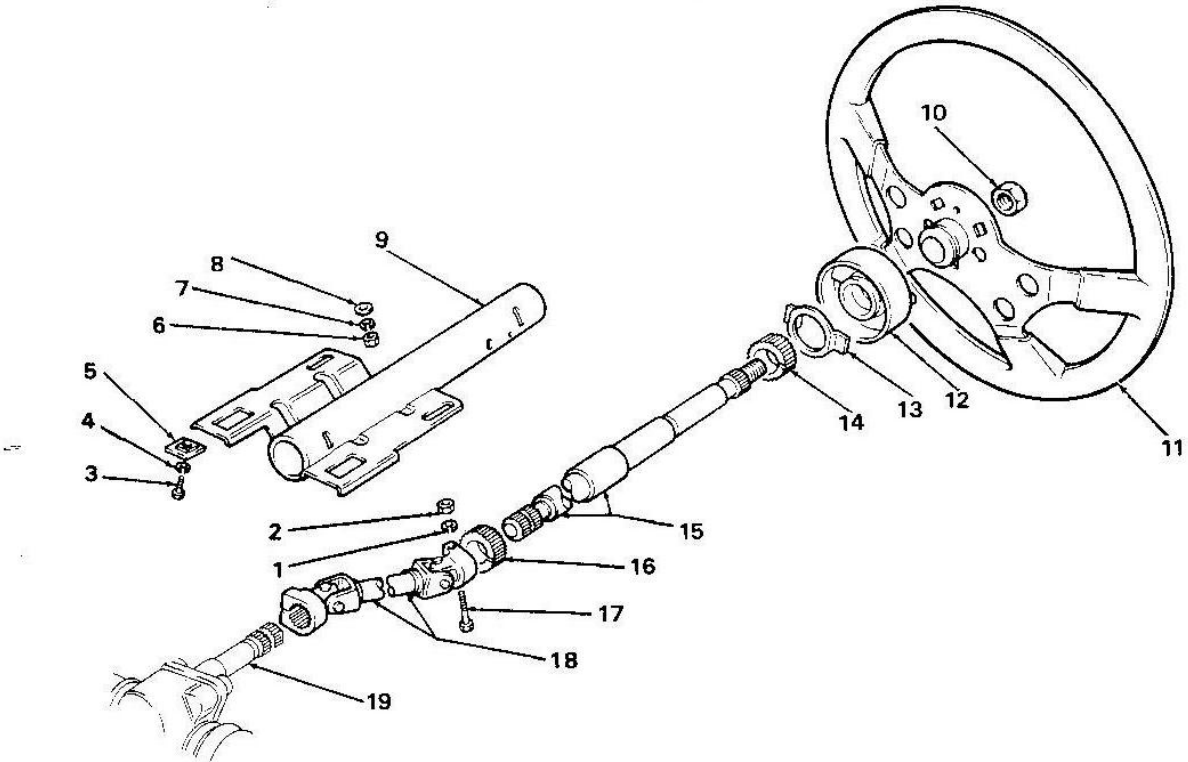
- |    |         |               |       |
|----|---------|---------------|-------|
| 1. | 4425932 | Not Available | 74-78 |
|    | 4395950 | Rear Shock    | 79-88 |
| 2. | 4233917 | Mount         | 74-88 |
| 3. | 4228209 | Shock Mount   | 74-88 |
| 4. | 4289221 | Cap           | 74-78 |
|    | 4361621 | Cap           | 79-88 |



**Also Available K Y B Gas Shocks**

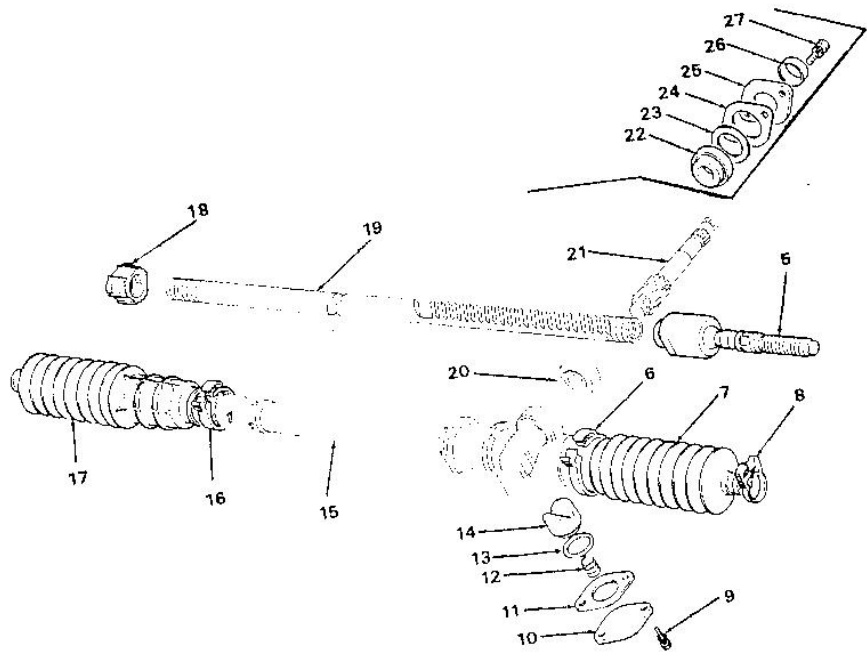
- |        |       |       |
|--------|-------|-------|
| 233003 | Front | 74-88 |
| 233004 | Rear  | 79-88 |

STEERING - COLUMN



- |     |          |                |                     |     |          |                    |                        |
|-----|----------|----------------|---------------------|-----|----------|--------------------|------------------------|
| 1.  | 10516674 | Washer         | 74-88               | 22. | 4431546  | Stabilizer Bushing | 79-88                  |
| 2.  | 16100811 | Nut            | 74-78               | 23. | 4323542  | Lock Ring          | 79-88                  |
|     | 15503621 | Nut            | 79-88               | 24. | 4329212  | Bushing            | 74-76                  |
| 3.  | 10902231 | Bolt           | 74-88               |     | 4375607  | Bushing            | 77 to vett 133053      |
| 4.  | 11197774 | Washer         | 74-88               |     | 4360398  | Bushing            | vett 133054 to 88      |
| 5.  | 4289140  | Not Available  | 74-88               | 25. | 4277982  | Not Available      | 74-76                  |
| 6.  | 16100811 | Nut            | 74-88               |     | 4375605  | Not Available      | 77 to May 78           |
| 7.  | 10516674 | Washer         | 74-88               |     | 4409054  | Upper Shaft        | June 78 to vett 133053 |
| 8.  | 12638620 | Washer         | 74-88               |     | 4460399  | Upper Shaft        | vett 133054 to 88      |
| 9.  | 4405975  | Not Available  | 74 to vett 111660   | 26. | 4329212  | Bushing            | 74-76                  |
|     | 4474192  | Not Available  | vett 133054 to 88   |     | 4375607  | Bushing            | 77 to vett 133053      |
| 10. | 10791421 | Nut            | 74-88               |     | 4460398  | Bushing            | vett 133054 to 88      |
| 11. | 4294505  | Steering Wheel | 74 to May 78        | 27. | 16235434 | Bolt               | 74-88                  |
|     | 4455875  | Not Available  | June 78 to April 86 | 28. | 5945647  | Steering Shaft     | 74-88                  |
|     | 5991141  | Steering Wheel | 84-88 special       | 29. | 4327718  | Not Available      | 74 to Jun.79           |
|     | 7591682  | Steering Wheel | 87 Black Leather    |     | 5927779  | Steering Box       | Jul.79-Oct.82          |
|     |          |                |                     |     | 5963144  | Steering Box       | Nov.82 to 88           |

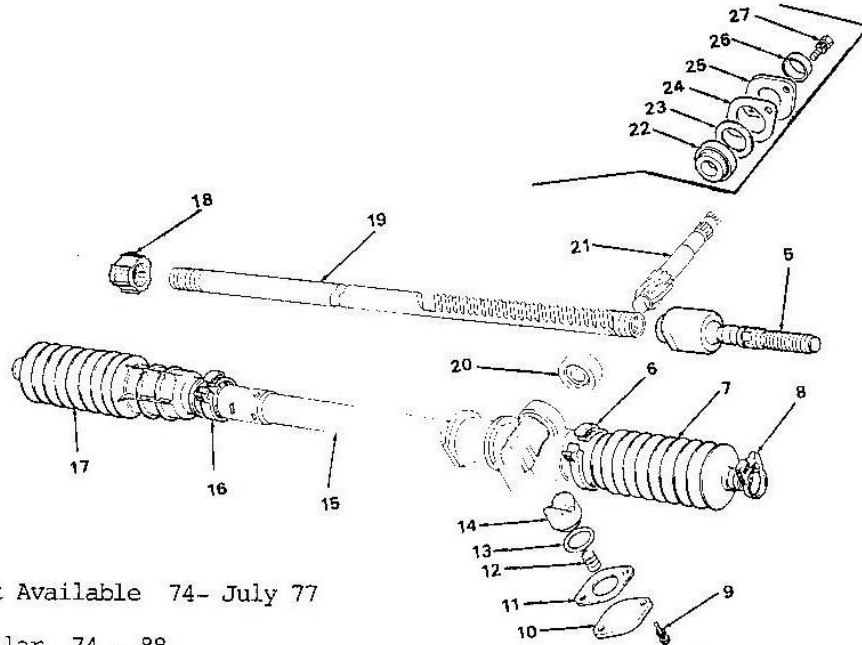
STEERING - BOX 1 of 2



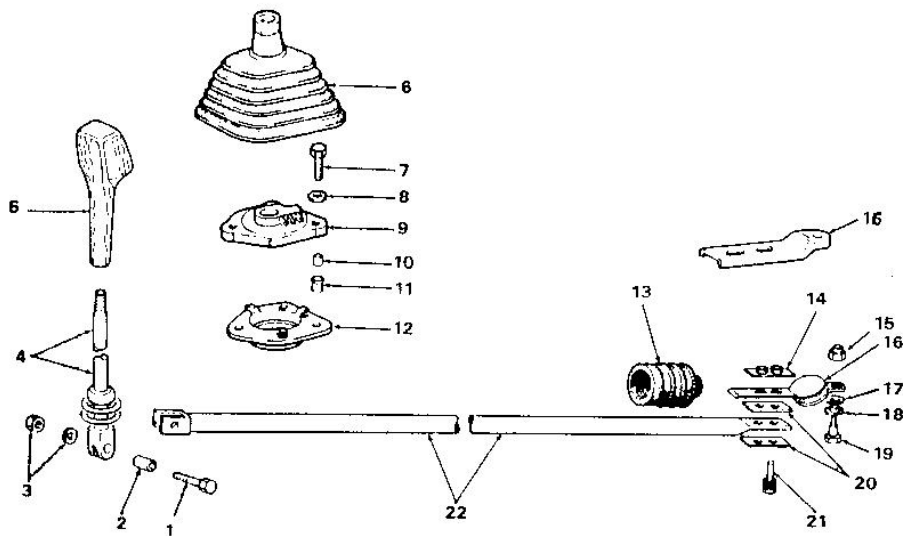
- 5. 4199586 Ball Joint 74 - 75  
4318655 Ball Joint 76 to Oct.82  
5960321 Ball Joint Nov.82 - 88
- 6. 4322569 Collar 74 - 88
- 7. 4342641 Boot 74 to vett 2042989  
9939574 Boot Kit vett 2042990 - 88  
contains both boots: 2 large collars, 2 small collars
- 8. 4342804 Collar 74 to vett 2042989  
4327484 Collar vett 2042990 - 88
- 9. 13824611 Bolt 74 - 88
- 10. 4169372 Plate 74 - 88
- 11. 4169376 (size .10) Shim 74 - 88  
4169377 (size .15) Shim 74 - 88
- 12. 4329346 Not Available 74 - 88
- 13. 4198259 Not Available 74 - 88
- 14. 4198262 Not Available



STEERING - BOX 2 of 2

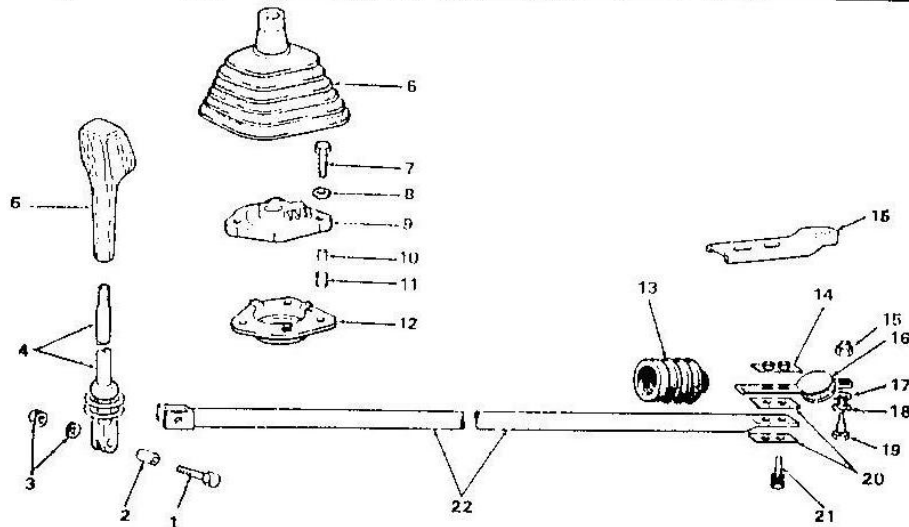


- 15. 4199578 Not Available 74- July 77
- 16. 4322570 Collar 74 - 88
- 17. 4239459 Boot 74 to vett 2042989  
9939574 Boot Kit vett 2042990 - 88  
contains both boots: 2 large collars, 2 small collars
- 18. 4330731 Steering Rack Bushing 74 to July 87
- 19. 4199583 Rack Gear 74 to July 77
- 20. 4199582 Not Available 74 to July 77
- 21. 4199581 Not Available 74 to July 77
- 22. 4199582 Not Available 74 to July 77
- 23. 4225872 (size.25) Shim 74 to July 77  
4198259 (size 2.5) Shim 74 to July 77
- 24. 4198248 Plate 74 to July 77
- 25. 4198247 Not Available 74 to July 77
- 26. 4128803 Seal 74 to July 77
- 27. 13824611 Screw 74 to July 77



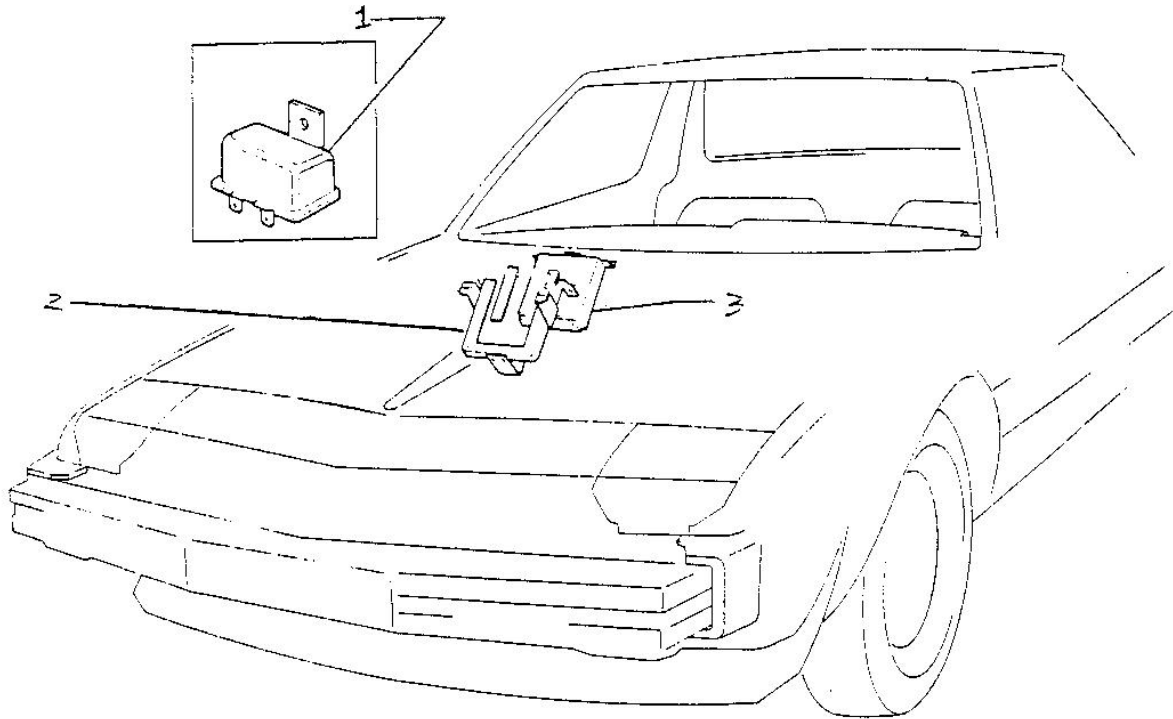
1. 4093268 Shifter Pin 74 to vett 43758  
10903221 Pin 79-88
2. 4210562 QTY-2 Bushing 74 to vett 43758  
4405125 Bushing 79-88
3. 12640601 Washer 74 to vett 43758  
4210561 Spring 74 to vett 43758  
12646801 Washer from vett 43759-78  
4351739 Spring from vett 43759-78  
12574211 Nut 79-88  
11197774 Washer 79-88
4. 4299913 Gearshift Lever 74 to vett 43758  
4334413 Not Available from vett 43759-78  
4425748 Gearshift Lever 79 to vett 156997  
7591864 Gearshift Lever from vett 156998-88
5. 4239754 Not Available 74 to vett 43758  
4338610 Gearshift Knob from vett 43759-78  
4429477 Gearshift Knob 79 to March 84  
4349924 Gearshift Knob April 84 to April 86  
7591683 Gearshift Knob May 86 to vett 156997  
7592063 Not Available from vett 156998 to 88
6. 4292852 Not Available 74 to vett 43758  
4334418 Not Available from vett 43759-78  
4409512 Gearshift Boot 79 to vett 156997
7. 13824611 Bolt 74 to vett 43758  
13824601 Not Available from vett 43759-78  
13824611 Bolt 79-88

GEARSHIFT CONTROLS 2 of 2



- |     |          |                                |  |
|-----|----------|--------------------------------|--|
| 8.  | 12643701 | Washer from vett 43759         |  |
|     | 13824611 | Bolt 79-88                     |  |
| 9.  | 4290813  | Support 74 to vett 43758       |  |
|     | 4318467  | Support from vett 43759-78     |  |
|     | 4395963  | Cover 79-88                    |  |
| 10. | 4395964  | Spacer 79-88                   |  |
| 11. | 4395965  | Bushing 79-88                  |  |
| 12. | 4102863  | Not Available 74 to vett 43758 |  |
|     | 4318466  | Support from vett 43759-78     |  |
|     | 4395962  | Cover 79-88                    |  |
| 13. | 4290820  | Boot 74-88                     |  |
| 14. | 4102860  | Plate 74-88                    |  |
| 15. | 12574211 | Nut 74-88                      |  |
| 16. | 4102856  | Gearshift Link Flex 74-88      |  |
|     | 4425750  | Gearshift Link 79-80 Carb.     |  |
| 17. | 4169421  | Washer 74-88                   |  |
| 18. | 4169420  | Bushing 74-88                  |  |
| 19. | 4019755  | Bolt & Washer Set 74-88        |  |
| 20. | 4166194  | QTY 2 Plate 74-88              |  |
| 21. | 1363284  | Bolt 74-88                     |  |
|     | 13632624 | Bolt 79-8- Carb.               |  |
| 22. | 4327529  | Selector Rod 74 to vett        |  |
|     |          | 43758                          |  |
|     | 4334415  | Selector Rod from vett         |  |
|     |          | 43759-78                       |  |
|     | 4425751  | Selector Rod 79-80 Carb.       |  |
|     | 4464464  | Not Available 80-88            |  |

FUEL INJECTION



CONTROL UNITS

1.	4430298	Multiple Relay	80-88
2.	4444846	Mounting Bracket	80-88
3.	5934558	Control Unit	80-83
	5997043	Control Unit	84-88

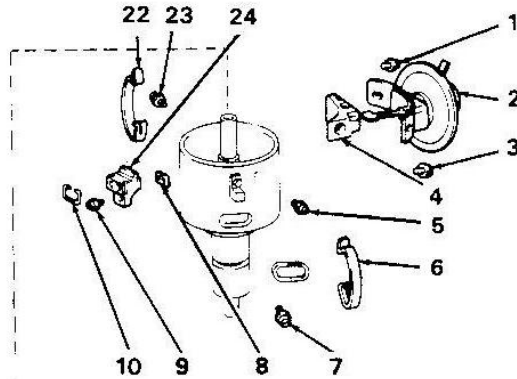
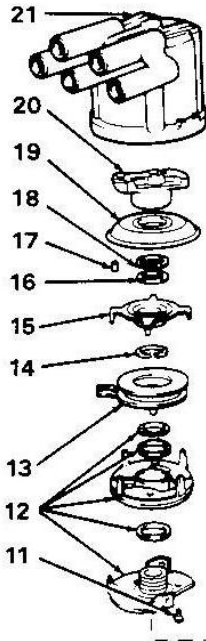


ELECTRONIC IGNITION

**IGNITION DISTRIBUTOR  
74 - 78**

PART NO.    DESCRIPTION

- 9935176A    Cap
- 9917117A    Rotor
- 5640        Points
- 63040        Condenser



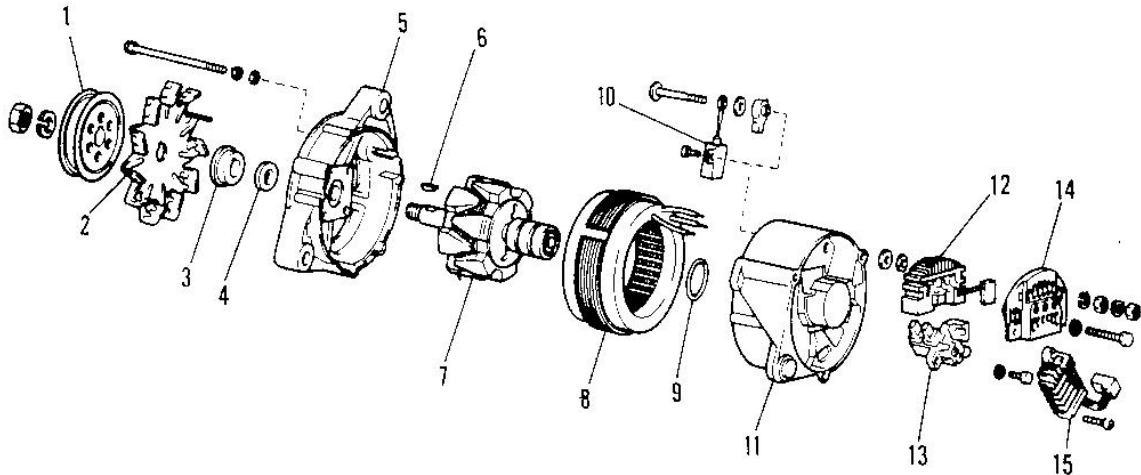
- 1. 9936009    Screw 79-88
- 2. 9936018    Vacuum Advance 79-49 State
- 9936020    Vacuum Advance 79-California
- 9936613    Vacuum Advance 80-88 Injected
- 3. 9934648    Screw & Washer 79-88
- 4. 9936006    Support 79-88
- 5. 9934648    Srew & Washer 79-88
- 6. 9934645    Clip 79-88
- 7. 9934648    Srew & Washer 79-88
- 12. 9938956    Pick-Up 79-88
- 13. 9938953    Field Coil 79-88
- 19. 9936005    Cover 79-88
- 20. 9927967A    Rotor 79-88

- 21. 9938254A    Cap 79-88
- 22. 9934645    Clip 79-88
- 23. 9934648    Screw & Washer 79-88

Kits

<u>Item No.</u>	<u>Part No.</u>
8,9,10,24	9938954 79-88
11,14,15,17,18	9938955 79-88

**A L T E R N A T O R**



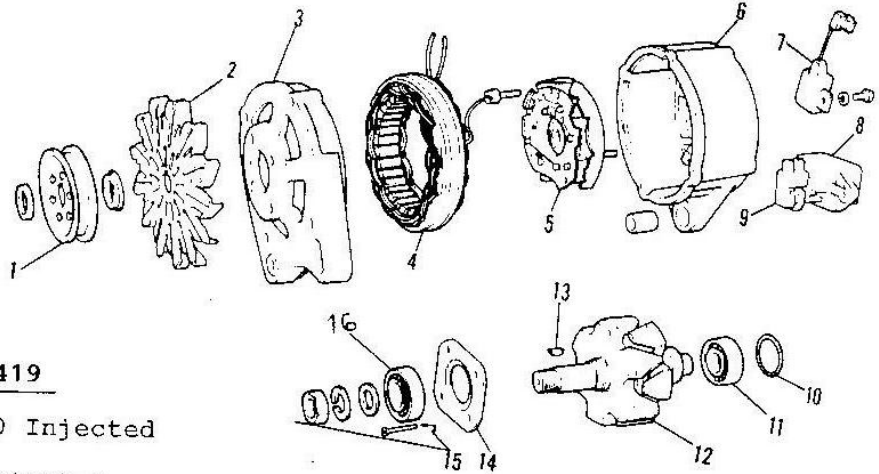
**COMPLETE ASSEMBLY**

<u>Part No.</u>	<u>Description</u>	<u>Model Year</u>
7580207	Marelli	79-80 Carbureted
4440419	Bosch	80 Injected
5940097	Bosch	84-88 Injected W/AC.
7565559	Bosch	84-88 Injected No AC.

**MARELLI COMPONENTS**

1.	9939701	Pulley	79-80 Carb.
2.	4434086	Not Availab.	79-80 Carb.
3.	4379903	Spacer	79-80 Carb.
4.	4434085	Not Availab.	79-80 Carb.
5.	9935392	Support	79-80 Carb.
6.	10206290	Key	79-80 Carb.
7.	9934950	Rotor	79-80 Carb.
8.	9935386	Stator	79-80 Carb.
9.	14454380	Seal	79-80 Carb.
10.	9935398	Condenser	79-80 Carb.
11.	9935391	Not Availab.	79-80 Carb.
12.	79060727	Rectifier	79-80 Carb.
13.	79014921	Brush Set	79-80 Carb.
14.	9935113	Not Availab.	79-80 Carb.
15.	4479112	Voltage Reg.	79-80 Carb.

**BOSCH ALTERNATOR COMPONENTS**



**Alternator 4440419**

- 1. 4440420 Pulley 80 Injected
- 2. 4330485 Fan 80 Injected
- 3. 9936606 Support 80 Injected
- 4. 9936535 Stator 80 Injected
- 5. 9936608 Diode Plate 80-88
- 6. 9936607 Not Available 80-88
- 7. 79024480 Condenser 80-88 all
- 8. 9940343 Voltage Reg. 80 Injected
- 9. 9928603 Alt Brush 80 Injected
- 10. 79025494 Seal 80-88 all
- 11. 9935795 Bearing 80-88
- 12. 9936533 Not Available 80 Injected
- 13. With item 15 Keeper 80-88
- 14. 79022468 Plate 80-88
- 15. 9927836 Kit 80-88 all
- 16. 9927840 Bearing 80-88 all

**Alternator 5940097**

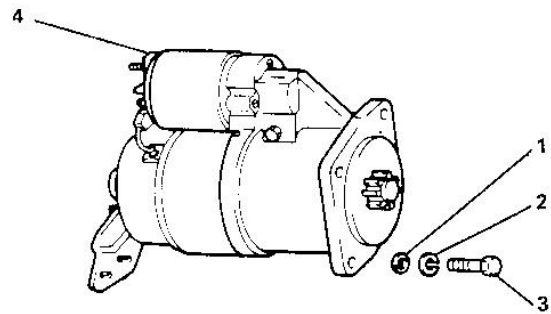
- 1. 5937588 Not Available 84-88
- 2. 4470778 Fan 84-88
- 4. 9938605 Stator 84-88
- 8. 9938171 Voltage Reg. 84-88 all
- 9. 9937700 Alt Brush 84-88 all
- 12. 9938344 Rotor 84-88

**Alternator 7565559**

- 1. 4418110 Pulley 84-88
- 2. 4470778 Fan 84-88
- 3. 9937239 Not Available 84-88
- 4. 9936535 Stator 84-88
- 5. 9939571 Diode Plate 84-88
- 6. 9937241 Not Available 84-88
- 12. 9938444 Rotor 84-88

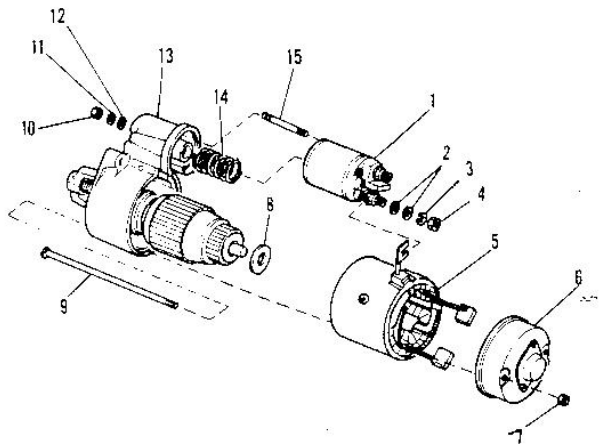
**STARTER MOTOR MARELLI**

- 1. 12638620 Washer 74-88
- 2. 11193874 Washer 74-78  
11194074 Washer 79-88
- 3. 16044224 Not Available 74-78  
16044321 Bolt 79-88
- 4. 4198601 Starter Motor 74-78  
4392459A Rebuilt Starter Motor 79-88



**Starter Components Marelli**

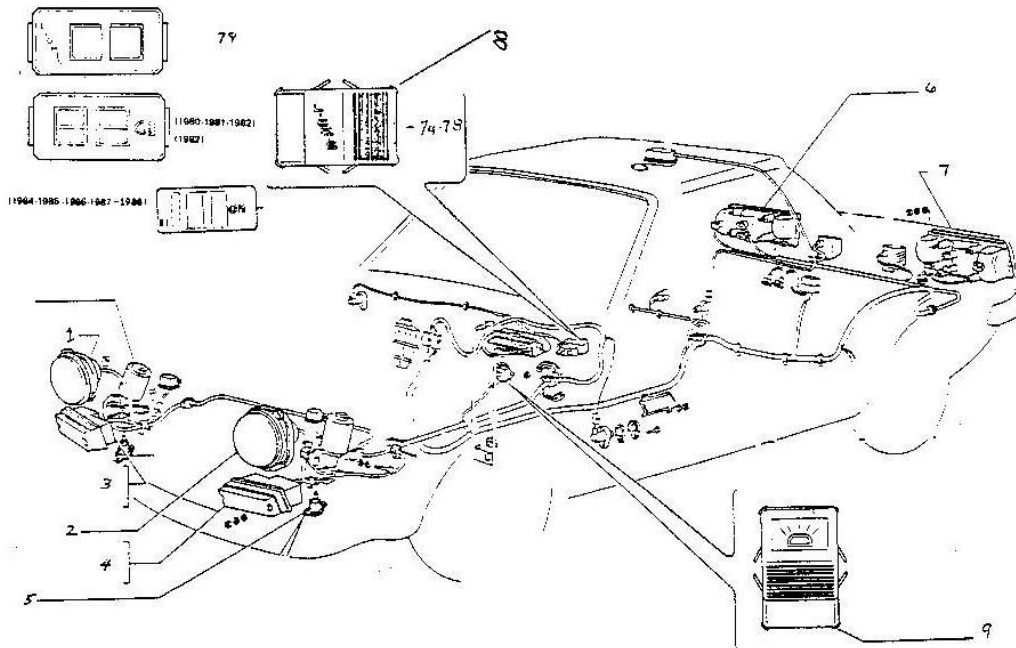
- 1. 9941707 Solenoid 74-78  
9941748 Solenoid 79-88
- 2. 10516674 Washer 74-88
- 3. 12638620 Washer 74-88
- 4. 14084811 Nut 74-88
- 5. 4255495 Hous.Assembly 74-78
- 6. 4155474 Collar 74-78  
9938774 Support 79-88
- 7. 16100811 Nut 74-78  
14084211 Nut 79-88
- 8. 4114457 Washer 74-78  
9936057 Not Available 79-88
- 9. 4181960 Not Available 74-78  
9936052 Not Available 79-88



- 10. 15896411 Nut 74-88
- 11. 11195474 Washer 74-88
- 12. 13550101 Washer 74-88
- 13. 4225711 Support 74-78  
9936048 Not Available 78-88
- 14. 4018329 Spring 74-78  
9936055 Spring 79-88



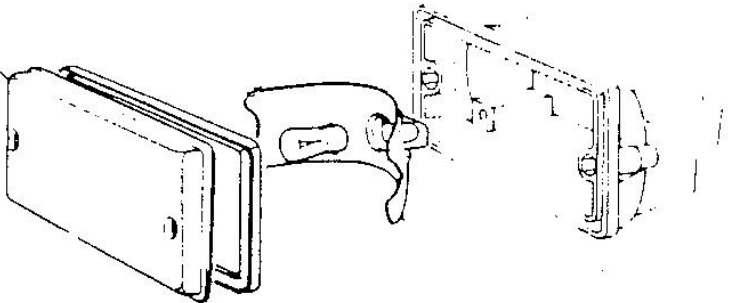
LIGHTING



- |              |                  |       |            |                       |       |
|--------------|------------------|-------|------------|-----------------------|-------|
| 1. 4285907   | Right Headlamp   | 74-83 | 8. 4359838 | Not Available         | 74-78 |
| 2. 4285908   | Left Headlamp    | 74-83 | 4423998    | Not Available         | 79    |
| 1&2. 5997836 | Headlamp         | 84-88 | 5928777    | Headlamp Switch       | 80-82 |
| 3. 4294974   | Right Front Lamp | 74-75 | 4463314    | Headlamp Switch       | 83-88 |
| 4. 4294979   | Not Available    | 74-75 | 9. 4359836 | Courtesy Light Switch | 74-76 |
| 3. 4364616   | Right Front Lamp | 76-77 | 4388033    | Courtesy Light Switch | 77-78 |
| 4. 4364617   | Not Available    | 76-77 |            |                       |       |
| 3. 4402154   | Right Front Lamp | 78    |            |                       |       |
| 4. 4402155   | Not Available    | 78    |            |                       |       |
| 3. 4421222   | Right Front Lamp | 79-88 |            |                       |       |
| 4. 4421223   | Left Front Lamp  | 79-88 |            |                       |       |
| 5. 4329028   | Centering Device | 74-88 |            |                       |       |
| 6. 4296351   | Right Tail Lamp  | 74-76 |            |                       |       |
| 7. 4296352   | Left Tail Lamp   | 74-76 |            |                       |       |
| 6. 4381640   | Right Tail Lamp  | 77-88 |            |                       |       |
| 7. 4381641   | Left Tail Lamp   | 77-88 |            |                       |       |

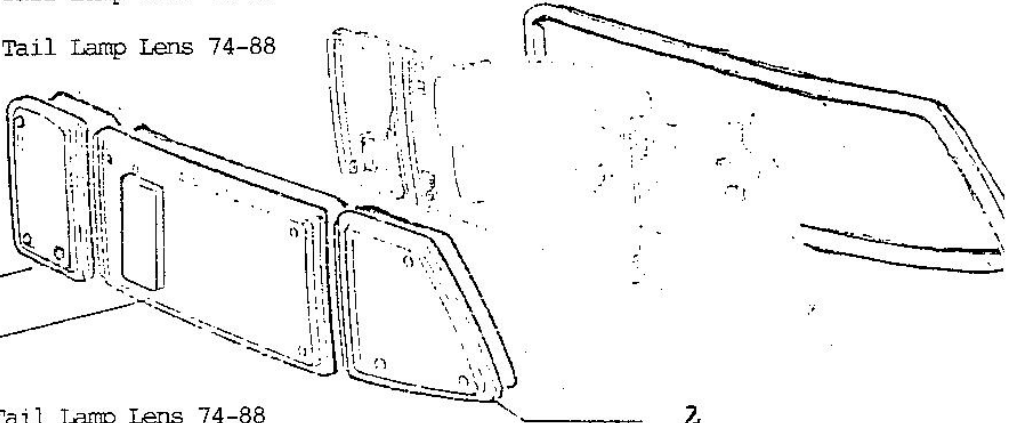
LAMP LENS

- 1. 4294980 Right Front Lamp Lens 74-75
- 4294981 Left Front Lamp Lens 74-75
- 4339438 Both Front Lamp Lens 76-88



- 2. 4296357 Right Outer Tail Lamp Lens 74-88
- 4296358 Left/ Not Available 74-88

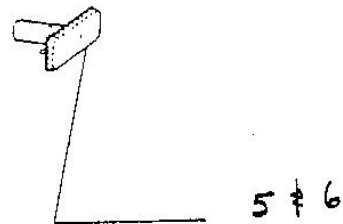
- 3. 4271528 Right Center Tail Lamp Lens 74-88
- 4271529 Left Center Tail Lamp Lens 74-88



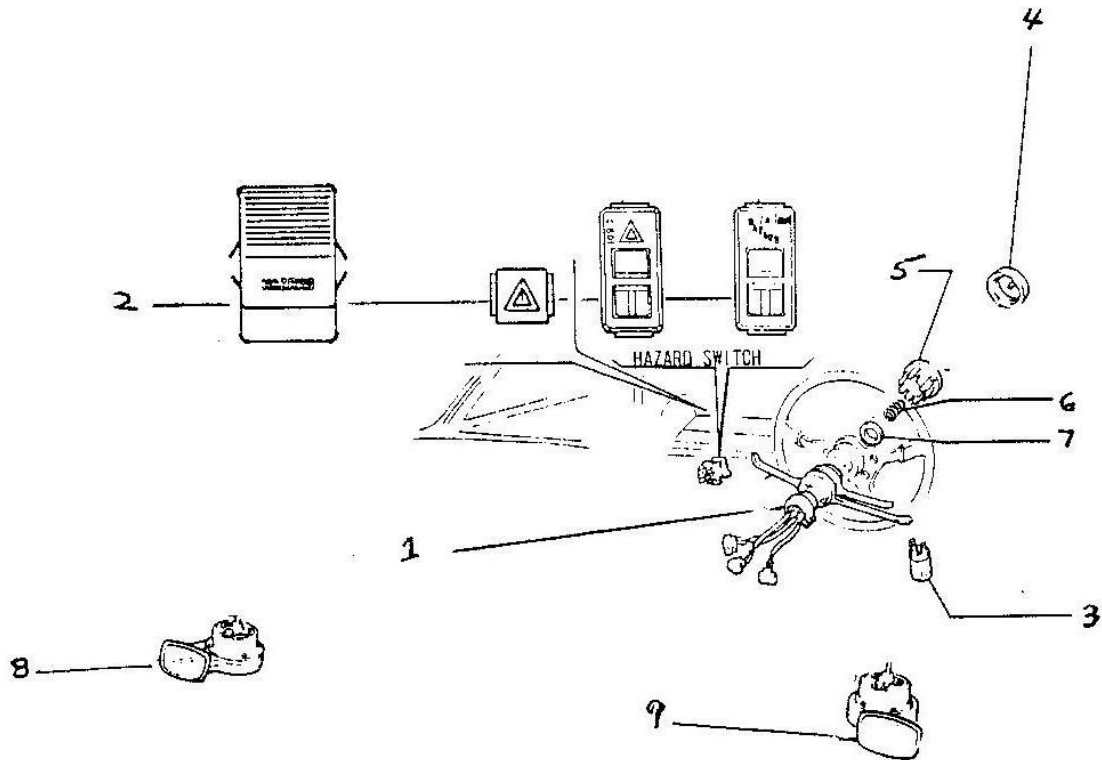
- 4. 4271532 Right Inner Tail Lamp Lens 74-88
- 4271533 Left Inner Tail Lamp Lens 74-88

- 5. 4390502 Front Side Marker 74-78
- 4420971 Front Side Marker 79 to vett 0147711
- 7534677 Front Side Marker vett 0147712 to 88

- 6. 4247292 Rear Side Marker 74-88

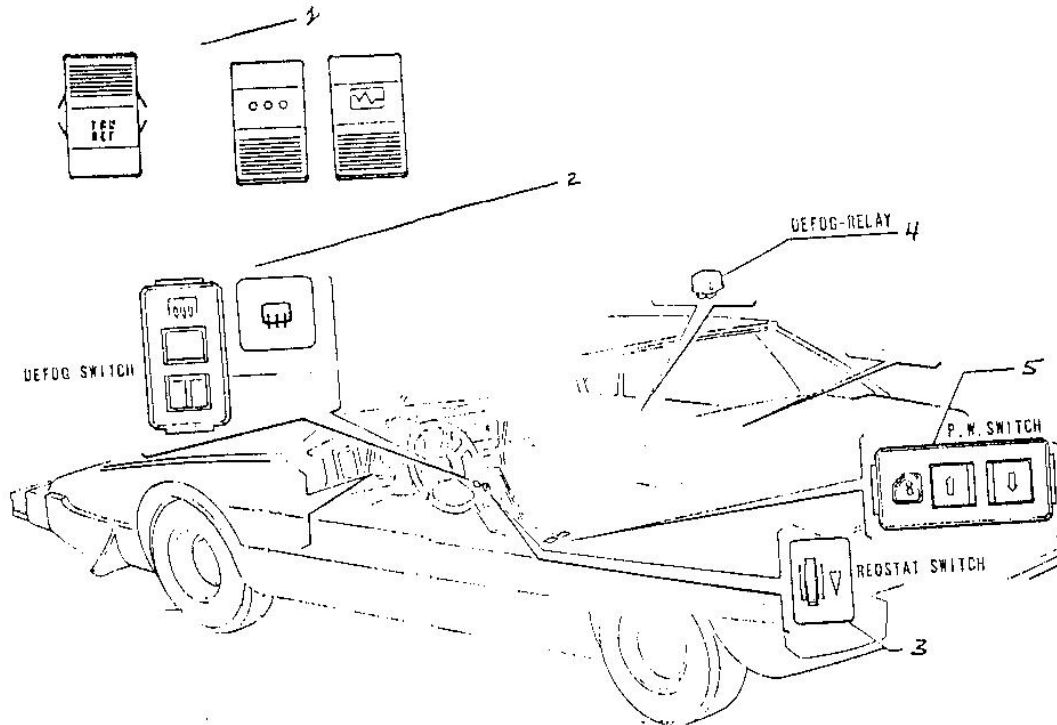


SIGNALLING DEVICES



- |            |                |                   |            |                |       |
|------------|----------------|-------------------|------------|----------------|-------|
| 1. 4277471 | Main Switch    | 74-78             | 5. 4185214 | Horn Ring      | 74-78 |
| 4437433    | Main Switch    | 79 to Apr.84      | 4323542    | Horn Ring      | 79-88 |
| 7558085    | Main Switch    | May 84 to 88      |            |                |       |
| 2. 4359834 | Hazard Switch  | 74-78             | 6. 4130888 | Spring         | 74-78 |
| 4424003    | Hazard Switch  | 79                | 4323541    | Spring         | 79-88 |
| 4424001    | Hazard Switch  | 80 to vett 142280 | 7. 4197580 | Washer         | 74-78 |
| 5928778    | Not Available  | vett 142281 to 83 | 4327737    | Washer         | 79-88 |
| 5939273    | Hazard Switch  | 84-88             |            |                |       |
| 3. 4347645 | Signal Flasher | 74-88             | 8. 4410409 | Low Tone Horn  | 74-88 |
| 4. 4294509 | Horn Button    | 74-78             | 9. 4410410 | High Tone Horn | 74-88 |
| 5991139    | Horn Button    | 79-88             |            |                |       |

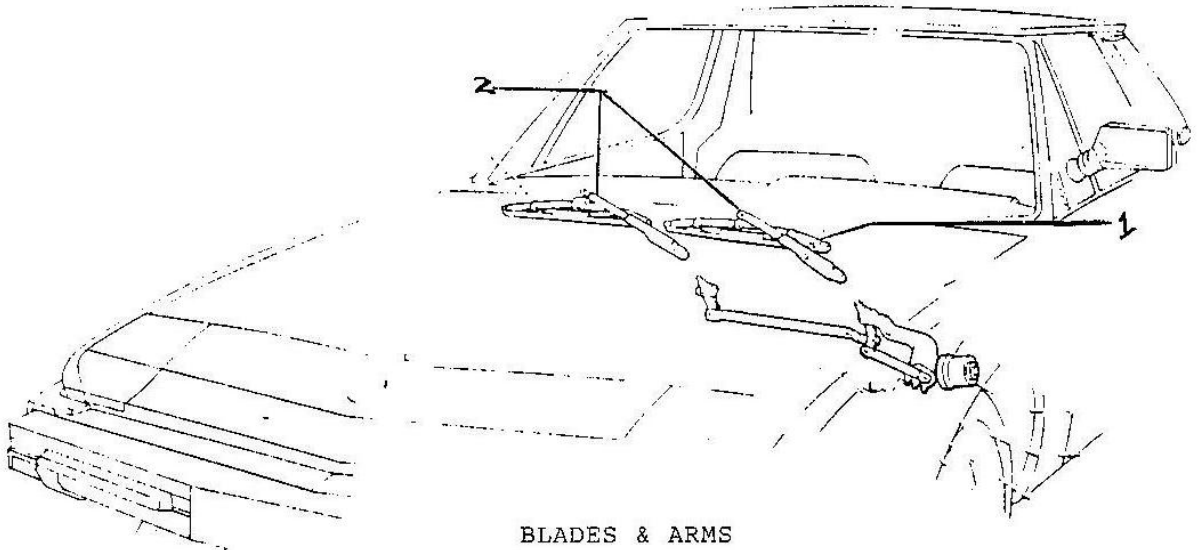
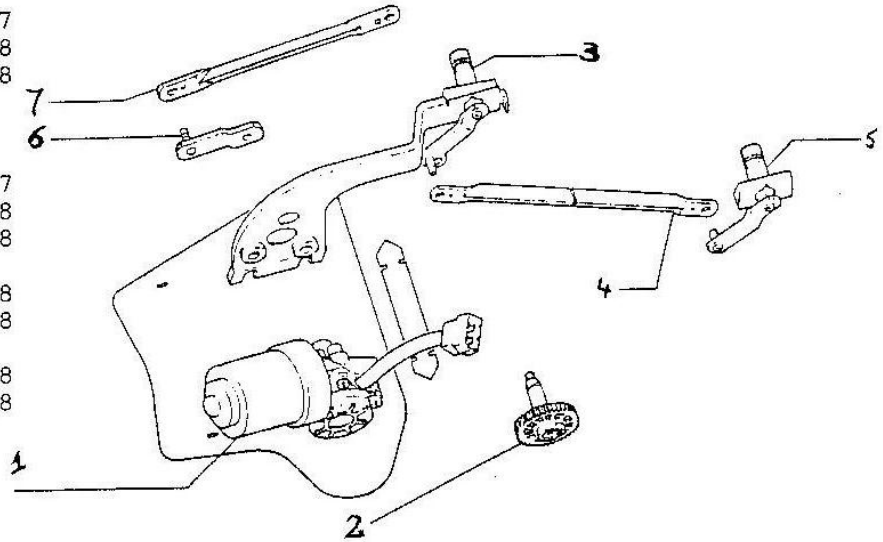
MISC / ACCESSORIES



- 1. 4359419 Fan.Defrost Switch 74-78  
4394680 Fan.Defrost with A/C 76-78
- 2. 4394680 Rear Defrost Switch 74-78 Console Mount  
4320324 Rear Defrost Switch 74-78 Dash Mount  
4423999 Rear Defrost Switch 79 to vett 142280  
5928773 Rear Defrost Switch vett 142281 to 83  
4463310 Rear Defrost Switch 84-88
- 3. 4351395 Rheostat 74-78  
4479298 Rheostat 79-82  
4459751 Rheostat 83-88
- 4. 82300045 Rear Defrost Relay 74-78  
7686773 Rear Defrost Relay 79-88
- 5. 5928775 Power Window Switch vett 142281 to 88

WINDSHIELD WIPER ASSY

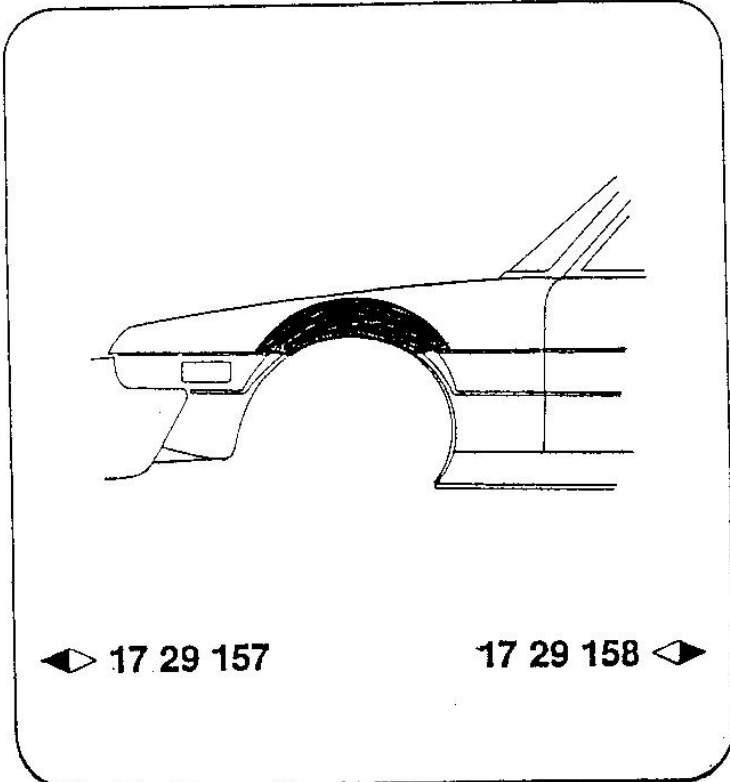
- 1. 9926167 Not Available 74-77  
9935188 Not Available 78  
9935988 Wiper Motor 79-88
- 2. 9918293 Wiper Gear 74-88
- 3. 9926168 Not Available 74-77  
9935203 Arm Plate 78  
9935997 Arm Plate 79-88
- 4. 9926170 Not Available 74-78  
9935999 Rod 79-88
- 5. 9926169 Not Available 74-78  
9935998 Lever 79-88
- 6. 9919703 Lever 74-78  
9936002 Lever 79-88
- 7. 9926171 Link Rod 74-78  
9936000 Link Rod 79-88



BLADES & ARMS

- 1. 8783 Pair Of Blades 15" 74-88
- 2. 4336507 Wiper Arm 74-88

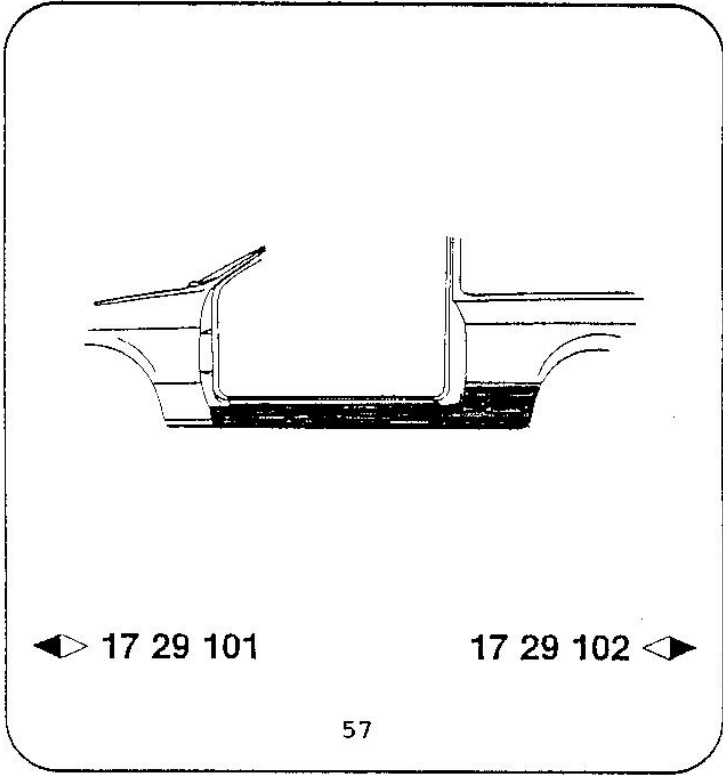
BODY REPAIR PANELS



Front Wheel Arch

1729157 Left

1729158 Right

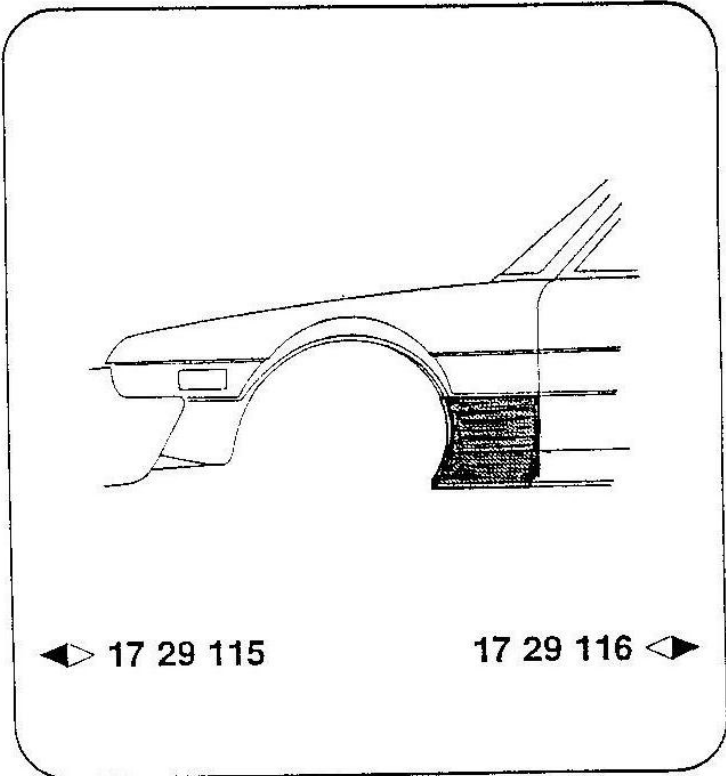


Rocker Panel

1729101 Left

1729102 Right

BODY REPAIR PANELS



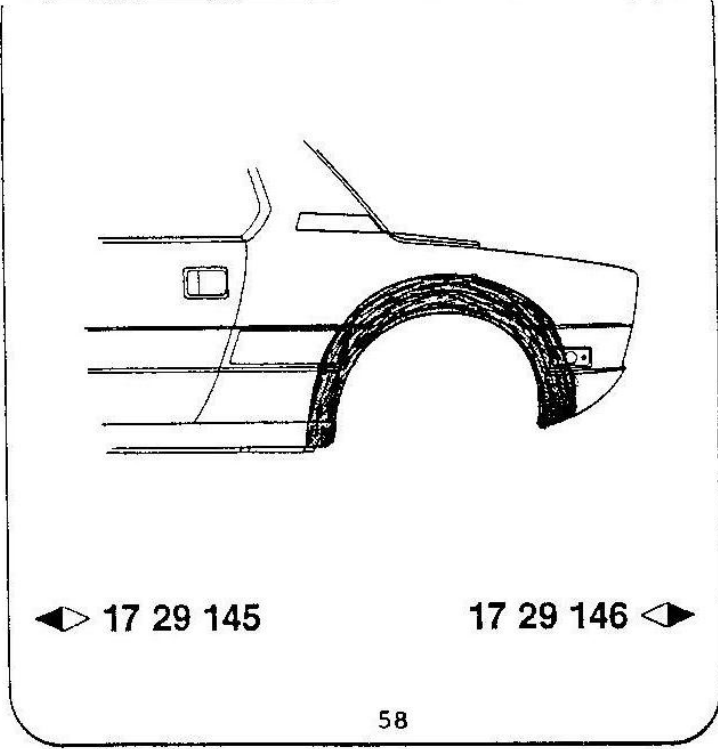
Front Fender Panel

1729115 Left

1729116 Right

◀ 17 29 115

17 29 116 ▶



Rear Wheel Arch

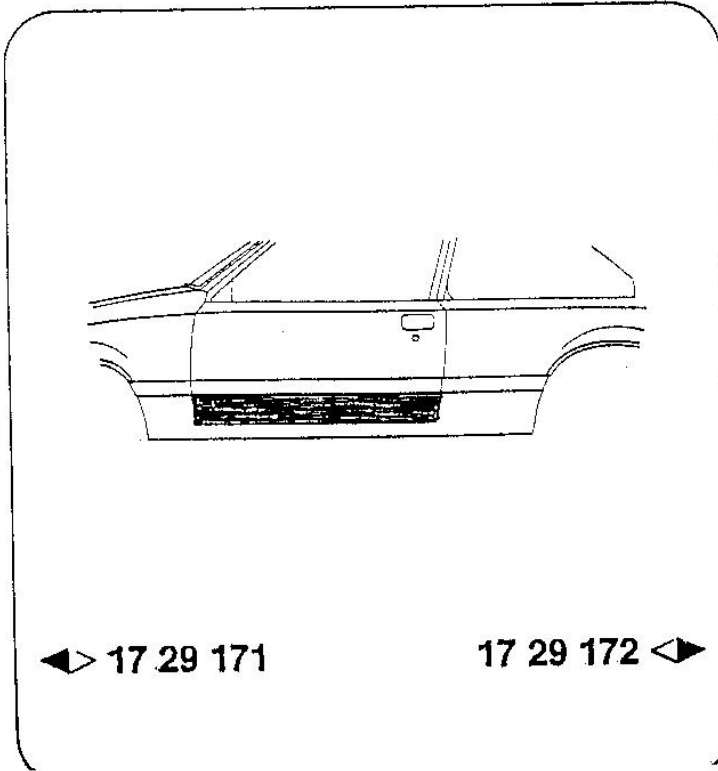
1729145 LEFT

1729146 Right

◀ 17 29 145

17 29 146 ▶

BODY REPAIR PANELS



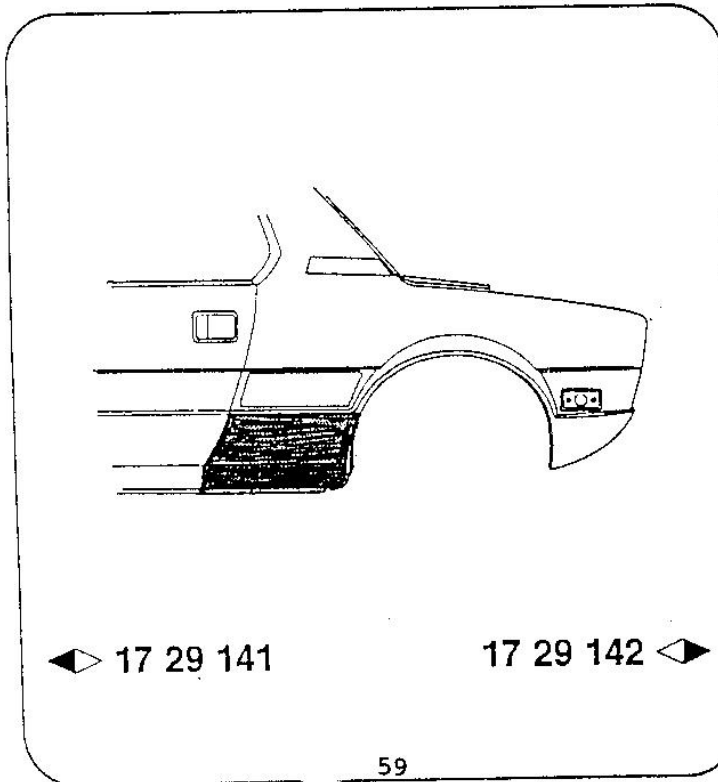
Lower Door Section

1729171 Left

1729172 Right

◀ 17 29 171

17 29 172 ▶



Rear Fender Panel

1729141 Left

1729142 Right

◀ 17 29 141

17 29 142 ▶

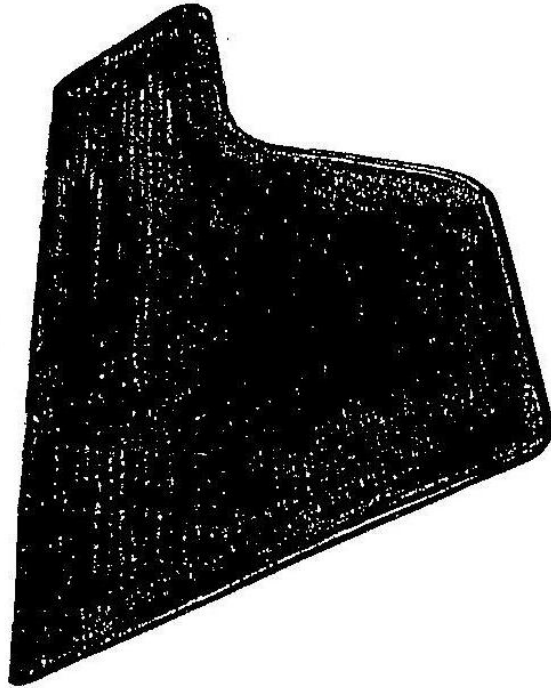




BODY REPAIR PANELS

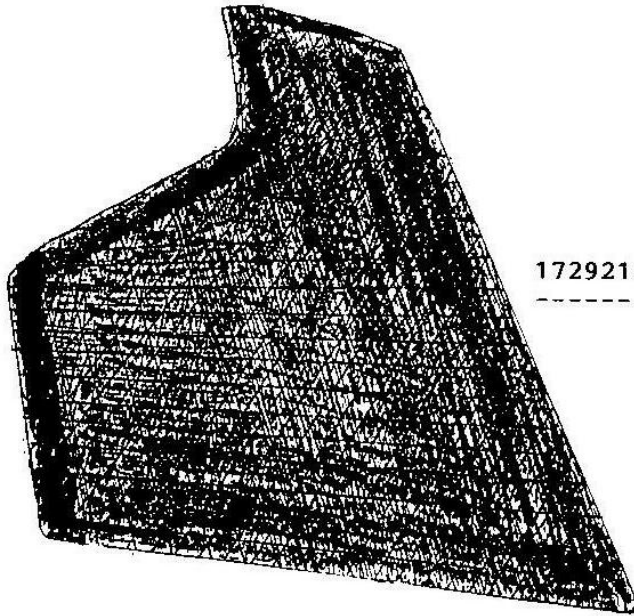
1729215 Right Floor Panel

---

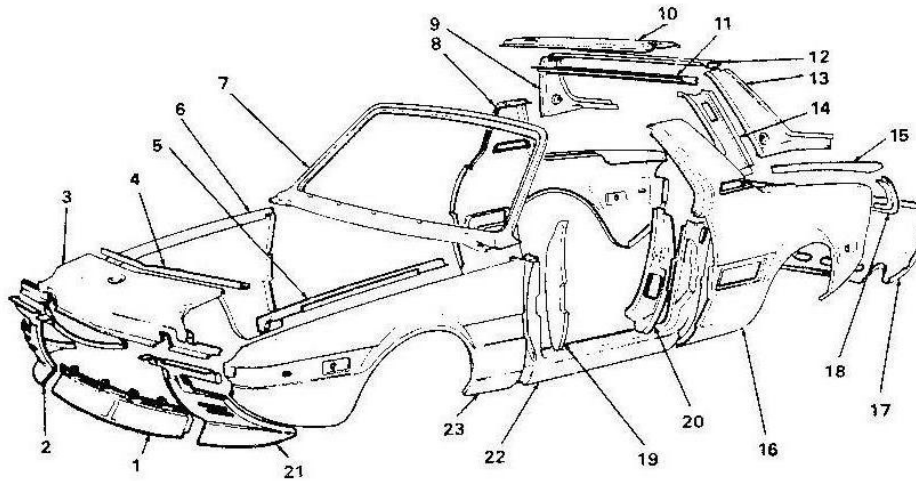


1729216 Left Floor Panel

---

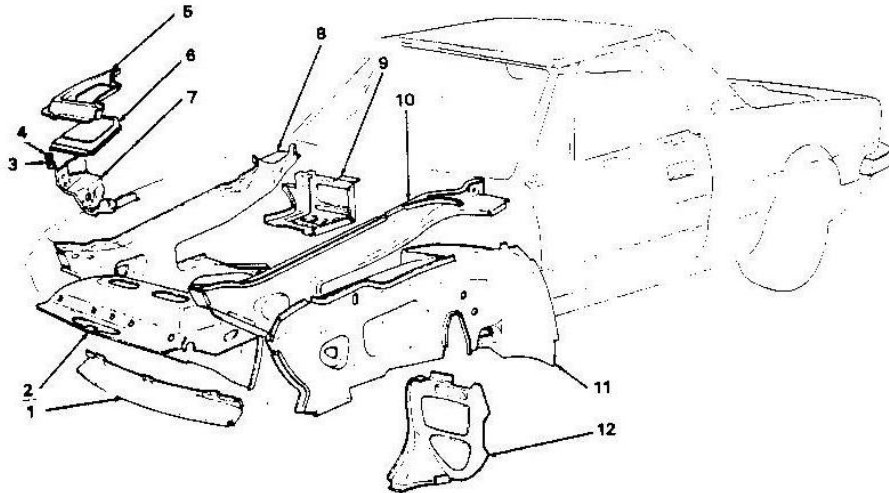


BODY SHELL OUTER



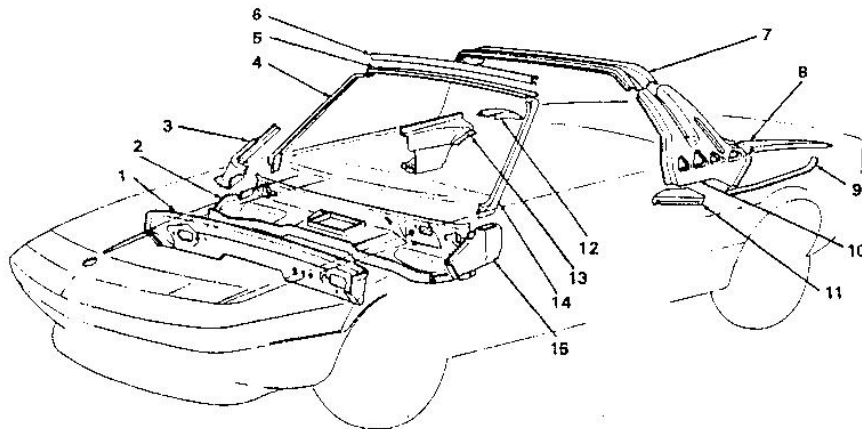
- |     |         |                          |     |         |                            |
|-----|---------|--------------------------|-----|---------|----------------------------|
| 1.  | 4325743 | Spoiler 74-78            | 14. | 4422502 | Not Available RH           |
|     | 4403569 | Spoiler 79-85            |     | 4422503 | Not Available LH           |
| 2.  | 4246268 | Fender Extension 74-85   | 15. | 5869938 | Channel RH 74-85           |
|     | 4422469 | Front Panel 75-85        |     | 4325779 | Channel LH 74-85           |
| 3.  | 4422471 | Upper Center Panel 74-85 | 16. | 4422466 | L.Rear 1/4 Panel 75-85     |
| 4.  | 4245711 | Channel 74-81            | 17. | 4422448 | Rear Body Panel 75-85      |
| 5.  | 4245712 | RH Channel 74-85         | 18. | 4245399 | Taillamp Seat RH 74-85     |
|     | 4245713 | LH Channel 74-85         |     | 4245400 | Taillamp Seat LH 74-85     |
| 6.  | 4245174 | RH Fender 74-85          | 19. | 4245393 | Door Pillar Front RH 74-85 |
|     | 4325875 | RH Fender 75-85          |     | 4245394 | Door Pillar Front LH 74-85 |
|     | 7558195 | RH Fender 87             | 20. | 4245395 | Door Pillar Rear RH 74-85  |
| 7.  | 4403665 | Windshield Frame 74-85   |     | 4245396 | Door Pillar Rear LH 74-85  |
| 8.  | 4422465 | R.Rear 1/4 Panel 75-85   | 21. | 4422470 | Fender Extension 75-85     |
| 9.  | 4422504 | Not Available 74-85      | 22. | 4245170 | RH Not Available 74-85     |
| 10. | 4246192 | Rear Cross Panel 74-85   |     | 5979170 | LH Rocker Panel 74-85      |
| 11. | 4422500 | Not Available 74-85      | 23. | 4325876 | LH Front Fender 75-85      |
| 12. | 4422501 | Not Available 74-85      |     | 7558195 | Left Fender 87             |
| 13. | 4422505 | Not Available 74-85      |     |         |                            |

INTERNAL BODYWORK



- |    |         |                       |       |     |         |                           |       |
|----|---------|-----------------------|-------|-----|---------|---------------------------|-------|
| 1. | 4325743 | Front Lower Panel     | 74-78 |     |         |                           |       |
|    | 4403569 | Front Lower Panel     | 79-85 |     |         |                           |       |
| 2. | 4308074 | Front Inner Panel     | 74-75 |     |         |                           |       |
|    | 4307972 | Front Inner Panel     | 75    |     |         |                           |       |
|    | 4307972 | Front Inner Panel     | 76-78 |     |         |                           |       |
|    | 4403671 | Front Inner Panel     | 79-85 |     |         |                           |       |
| 3. |         | Local Purchase        |       |     |         |                           |       |
| 4. |         | Local Purchase        |       |     |         |                           |       |
| 5. | 4245704 | RH Joining Element    | 74-85 |     |         |                           |       |
|    | 4245705 | LH Joining Element    | 74-85 |     |         |                           |       |
| 6. | 4245706 | RH H/Lamp Motor Cover | 74-85 |     |         |                           |       |
|    | 4245707 | LH H/Lamp Motor Cover | 74-85 |     |         |                           |       |
|    |         |                       |       | 7.  | 4245691 | RH H/L. Mot.Mount.Brack.  | 74-85 |
|    |         |                       |       |     | 4245692 | LH H/L. Mot.Mount.Brack.  | 74-85 |
|    |         |                       |       | 8.  | 5869940 | Right Inner Frame         | 75-85 |
|    |         |                       |       | 9.  | 4325945 | Battery Housing           | 74-85 |
|    |         |                       |       | 10. | 5869941 | Left Inner Frame          | 75-85 |
|    |         |                       |       | 11. | 4325694 | RH Not Available          | 74-75 |
|    |         |                       |       |     | 4325695 | LH Not Available          | 74-75 |
|    |         |                       |       |     | 4245150 | RH Wheel Well Panel       | 76-85 |
|    |         |                       |       |     | 4245151 | LH Wheel Well Panel       | 76-85 |
|    |         |                       |       | 12. | 4245695 | RH Inner Wheel Well Panel | 74-85 |
|    |         |                       |       |     | 4245696 | LH Inner Wheel Well Panel | 74-85 |

**INTERNAL BODY WORK**

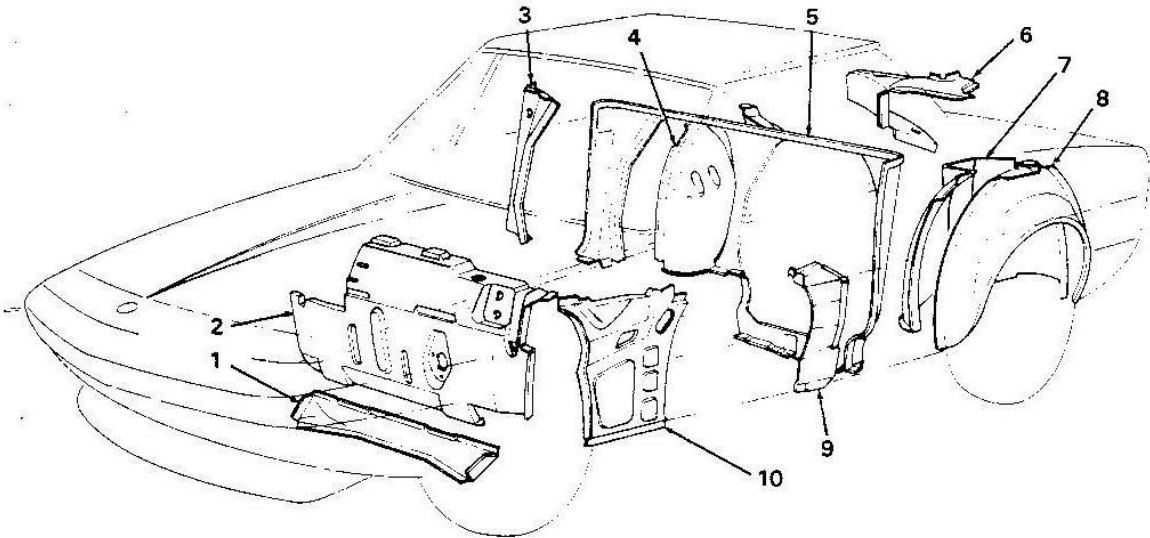


- 1. 4245382 Air Intake Wall 74-85
- 2. 4308114 Not Available 74-85
- 3. 4245338 Not Available 74-85  
4245339 Not Available 74-85
- 4. 4246173 R. Windshield Framing 74-85
- 5. 4245325 Top Windshield Framing 74-85
- 6. 4245354 Joining Element 74-85
- 7. 4245545 Not Available 74-85
- 8. 4245384 Right/Not Available 74-85  
4245385 Left Joining Element 74-85
- 9. 4246373 Right/Not Available 74-85  
4246374 Left Reinforcement 74-85
- 10. 4245365 Right/Not Available 74-85  
4245366 Left Rear Framing 74-85
- 11. 4245388 Left/Not Available 74-85
- 12. 4245383 Right/Not Available 74-85
- 13. Not Supplied 74-85
- 14. 4246174 Left Windshield Framing 74-85
- 15. 4245363 Not Available 74-85  
4245364 Not Available 74-85

5  
5



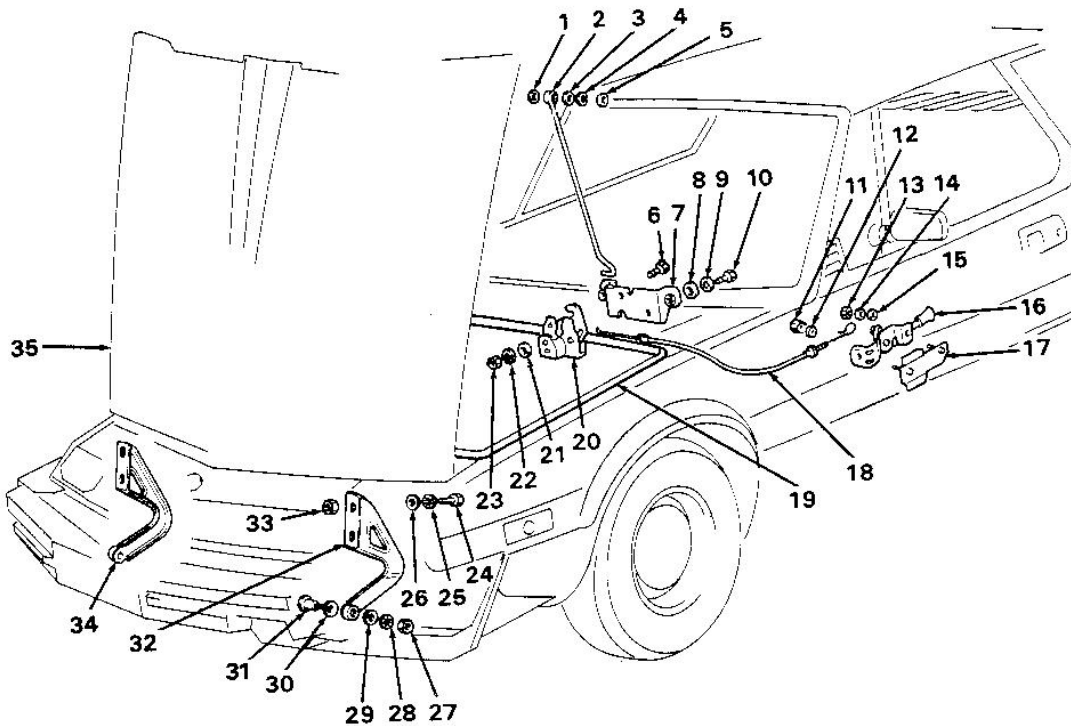
B O D Y S H E L L I N N E R



1.	4245290	Boxed Panel	74-85
2.	4422478	Not Available	74-85
3.	4245345	RH Joining Element	74-85
	4245346	LH Joining Element	74-85
4.	4245161	Not Available	74-85
5.	4245261	Wall	74-85
6.	4245268	RH Not Available	74-75
	4245269	LH Not Available	74-75

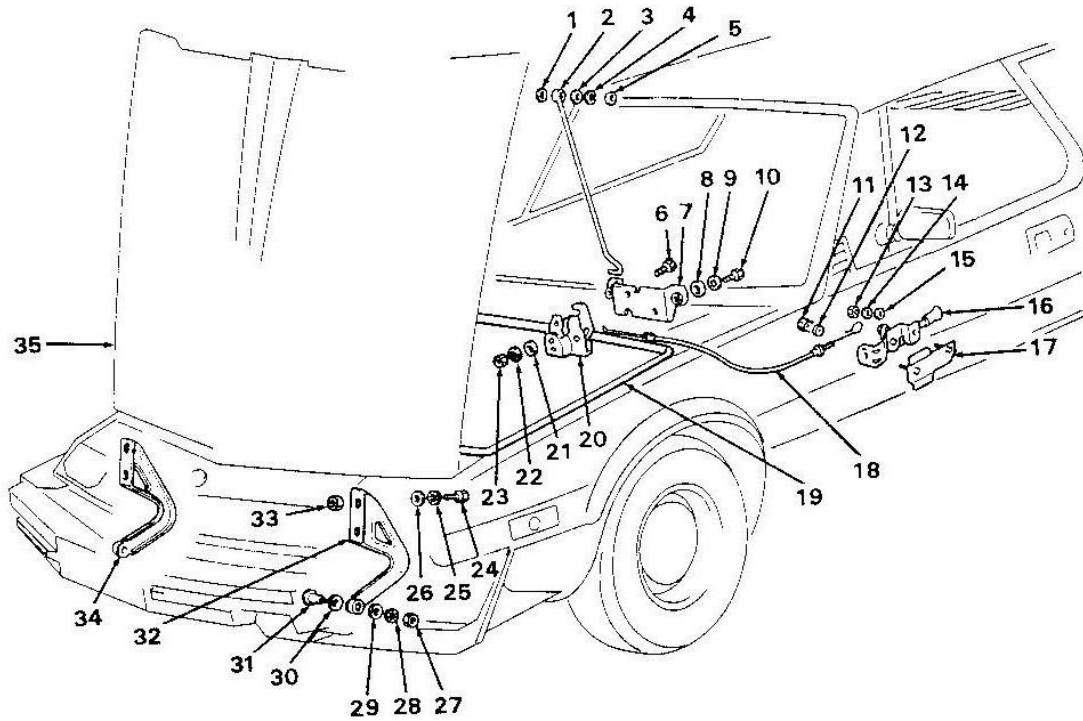
7.	4307950	Not Available	74-85
8.	4307962	Wheel Well RH	74-85
	4307963	Wheel Well LH	74-85
9.	Not supplied as a spare		74-85
10.	4245165	Side Panel RH	74-85
	4245166	Side Panel LH	74-85

FRONT LUGGAGE COMPARTMENT 1 of 2

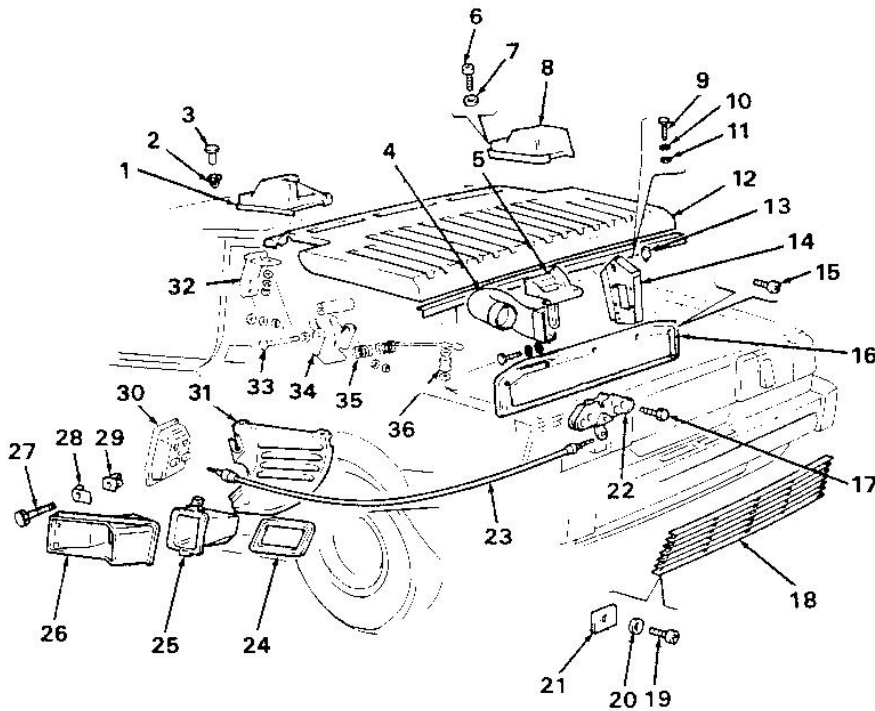


- |     |          |               |       |     |          |                     |       |
|-----|----------|---------------|-------|-----|----------|---------------------|-------|
| 1.  | 10413670 | Washer        | 74-78 | 11. | 10725921 | Nut                 | 79-88 |
|     | 12601374 | Washer        | 79-88 | 12. | 12601274 | Washer              | 79-88 |
| 2.  | 4246402  | Rod           | 74-88 | 13. | 14054511 | Not Available       | 79-88 |
| 3.  | 11197774 | Washer        | 74-78 | 14. | 12605271 | Washer              | 79-88 |
|     | 12643701 | Washer        | 79-88 | 15. | 12646701 | Washer              | 79-88 |
| 4.  | 11197774 | Washer        | 74-88 | 16. | 4403396  | Not Available       | 79-88 |
| 5.  | 12574211 | Nut           | 74-88 | 17. | 4403339  | Support             | 79-88 |
| 6.  | 10902231 | Bolt          | 79-88 | 18. | 4245888  | Release Cable       |       |
| 7.  | 4403349  | Trunk Support | 79-88 |     |          | 74 to Ser# 90257    |       |
| 8.  | 12643701 | Washer        | 79-88 |     | 4403334  | Hood Release Cable  | Ext.  |
| 9.  | 12605271 | Lock Washer   | 79-88 |     |          | 78 Ser# 90258 to 88 |       |
| 10. | 10902021 | Bolt          | 79-88 |     | 4403335  | Hood Release Cable  | Int.  |
|     |          |               |       |     |          | 78 Ser# 90258 to 88 |       |

FRONT LUGGAGE COMPARTMENT 2 of 2



- |     |          |                  |                 |     |              |               |       |
|-----|----------|------------------|-----------------|-----|--------------|---------------|-------|
| 19. | 4463166  | W/Strip by Meter | 74-88           | 28. | 10516674     | Washer        | 74-88 |
| 20. | 4403353  | Lock Assy        | From Ser# 90258 | 29. | 12646701     | Washer        | 74-88 |
| 21. | 12643701 | Washer           | 74-88           | 30. | 10413870     | Washer        | 74-88 |
| 22. | 12605271 | Washer           | 74-88           | 31. | 4245284      | Pin           | 74-88 |
| 23. | 12574211 | Nut              | 74-88           | 32. | 4245278      | Left Hinge    | 74-88 |
| 24. | 4218238  | Bolt             | 74-88           | 33. | Not supplied | Buy locally   | 74-88 |
| 25. | 10516674 | Washer           | 74-88           | 34. | 4245277      | Right Hinge   | 74-88 |
| 26. | 12646701 | Washer           | 74-88           | 35. | 4307879      | Not Available | 74-76 |
| 27. | 14084811 | Nut              | 74-88           |     | 5869637      | Hood          | 77-88 |

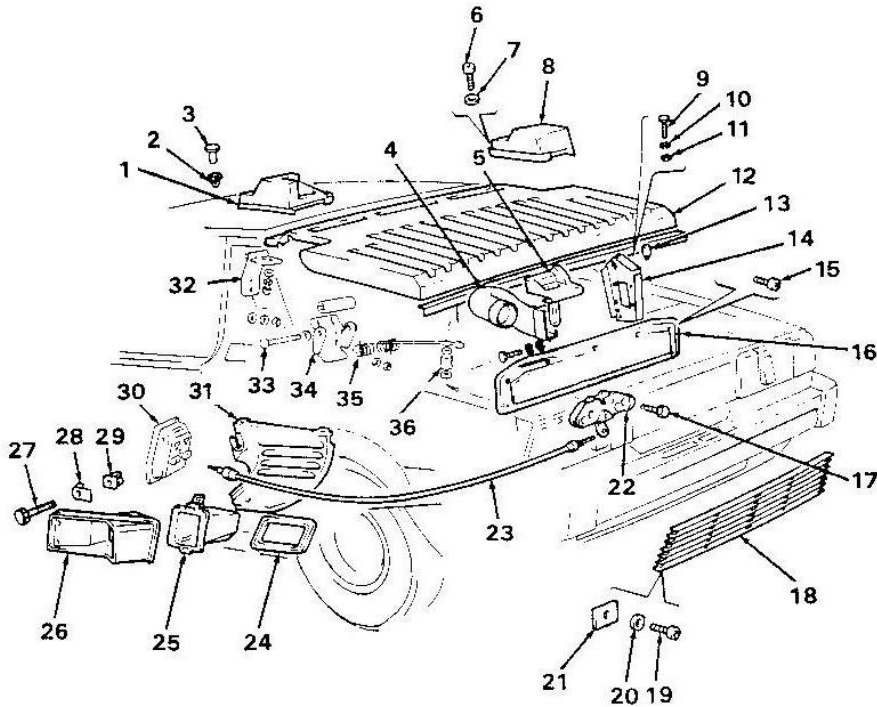


- |   |   |
|---|---|
| 1. 4403612 Left Hood Support 79-88                | 11. 12643701 Washer 79-88   |
| 2. 4308269 Clip 79-88                             | 12. 4307880 Not Available 79-88<br>5869808 Engine Lid w.3 1/8 Latch 77-78 |
| 3. 4245744 Pin 79-88                              | 13. 7601457 Pad 79-88   |
| 4. 4462942 Air Duct 79-88                         | 14. 4462932 Support 79-88   |
| 5. 4245505 Striker 74-78<br>4403607 Striker 79-88 | 15. 13274411 Not Available 79-88  |
| 6. 13274117 Not Available 79-88                   | 16. 4462967 Not Available 79-88   |
| 7. 13550101 Washer 79-88                          | 17. 14305424 Screw 74-78<br>10902421 Screw 79-88                          |
| 8. 4403611 Right Hood Support 79-88               | 18. 4325908 Rear Grill 75-88  |
| 9. 10902021 Screw                                 | 19. 17670107 Screw 75-88  |
| 10. 12605271 Washer 79-88                         | 20. 13550101 Washer 75-88   |



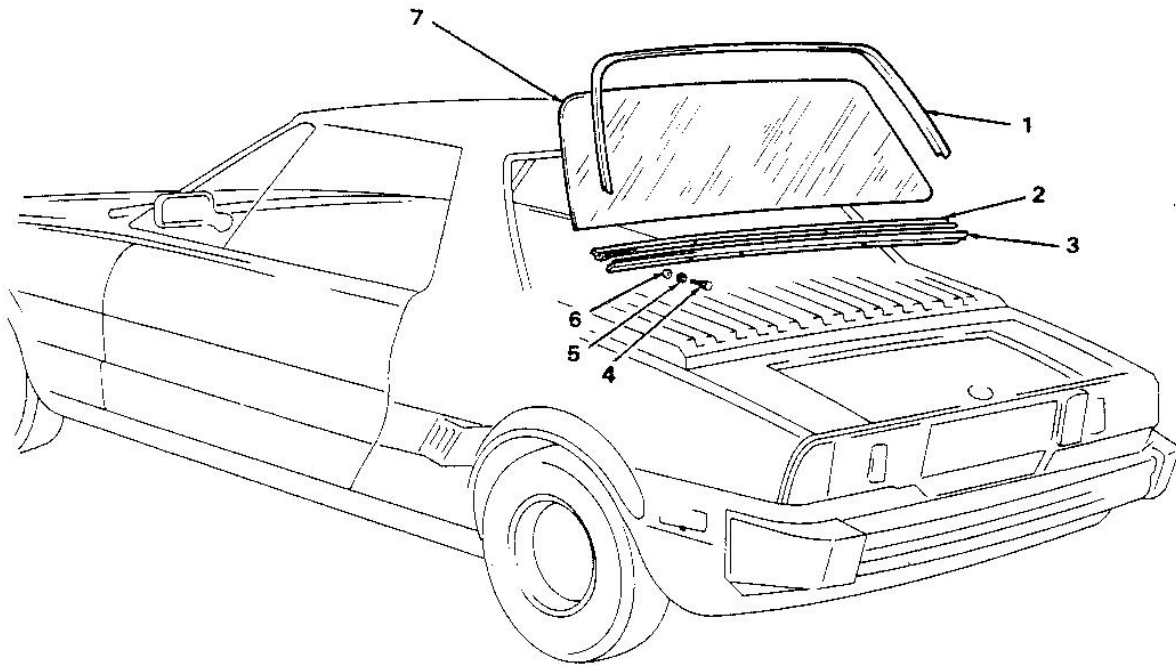


ENGINE COMPARTMENT 2 of 2



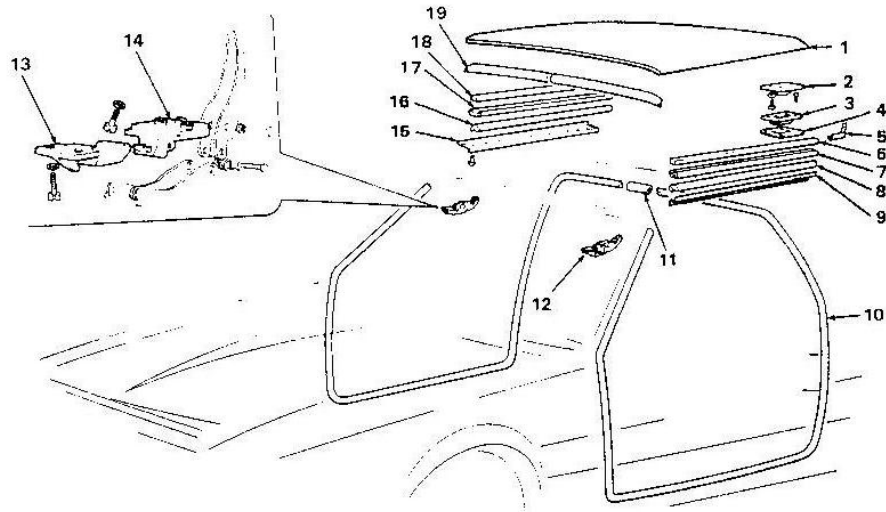
- |     |          |               |       |     |                                  |
|-----|----------|---------------|-------|-----|----------------------------------|
| 21. | 14189771 | Plate         | 75-88 |     |                                  |
| 22. | 4307947  | Not Available | 74-88 |     |                                  |
| 23. | 4246012  | Cable Sheath  | 74-88 | 30. | 5998031 Handle Assy 74-88        |
| 24. | 4245513  | RH Gasket     | 74-88 | 31. | 4308224 RH Not Available 74-78   |
|     | 4245514  | LH Gasket     | 74-88 |     | 4308245 LH Inner Fire Wall 74-78 |
|     |          |               |       |     | 4422451 RH Inner Fire Wall 79-88 |
| 25. | 4246515  | RH Conveyor   | 74-88 |     | 4422453 LH Inner Fire Wall       |
|     | 4246516  | LH Conveyor   | 74-88 | 32. | 4422530 Hinge 74-88              |
| 26. | 4245638  | RH Air Duct   | 74-88 | 33. | 16045421 Bolt 79-88              |
|     | 4245639  | LH Air Duct   | 74-88 | 34. | 4403632 Spring Bracket 79-88     |
| 27. | 17669401 | Not Available | 74-88 | 35. | 4403634 Lid Spring 79-88         |
| 28. | 14188680 | Clip          | 74-88 | 36. | 4263566 Sleeve 79-88             |
| 29. | 4309331  | Clip          | 74-88 |     |                                  |

REAR WINDOW



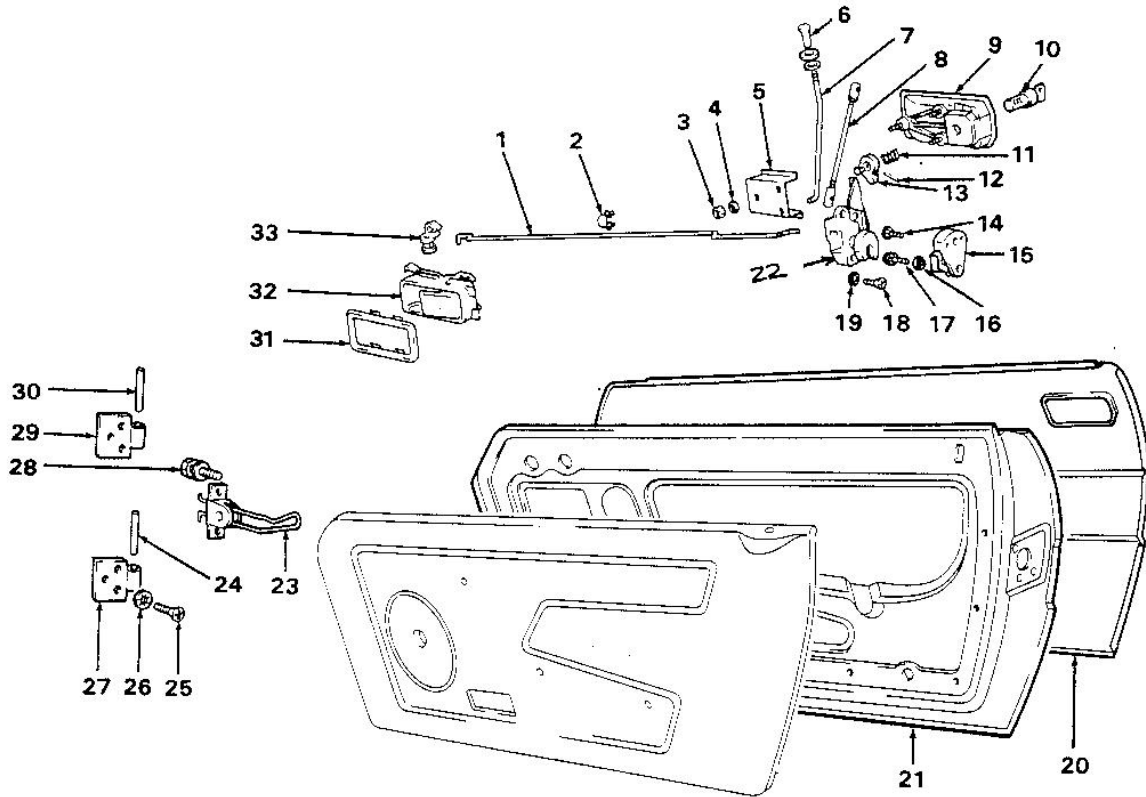
1. 4245444 Frame 74-88
2. 4422446 Rubber Seal 74-88
3. 4325828 Not Available 75-88
4. 10977728 Not Available 74-88
5. 12605271 Lock Washer 74-88
6. 13550101 Washer 74-88
7. 6092 Used Back Glass 74-88

HARD TOP

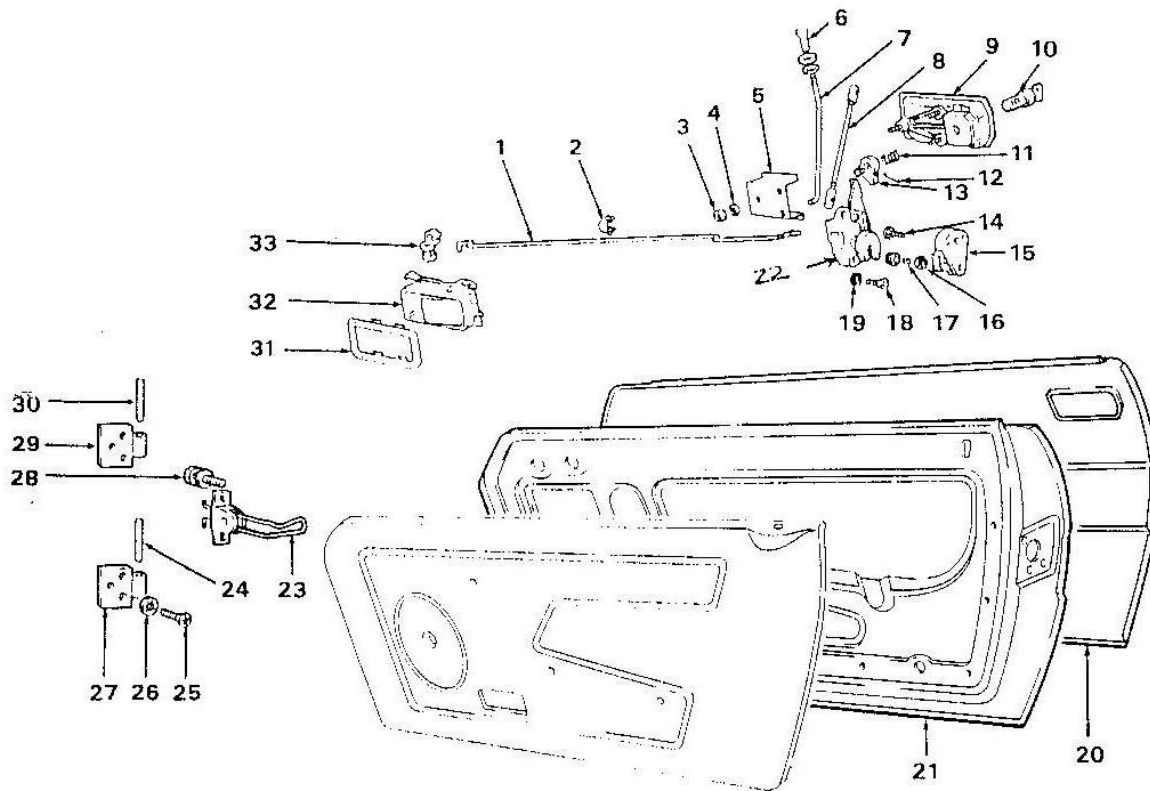


- |     |         |                    |       |     |                      |                |       |
|-----|---------|--------------------|-------|-----|----------------------|----------------|-------|
| 1.  | 5997805 | Hard Top           | 76-88 | 11. | 4325831              | Coupling       | 74-88 |
| 2.  | 4307798 | Right Lug          | 74-88 | 12. | 4308243              | Right Latch    | 74-88 |
|     | 4307799 | Left Lug           | 74-88 |     | 4308244              | Left Latch     | 74-88 |
| 3.  | 4245982 | Striker Plate      | 74-88 | 13. | 4245974              | Striker Plate  | 74-88 |
| 4.  | 4245988 | Cover              | 74-88 | 14. | Comes with item # 12 |                |       |
| 5.  | 5869568 | Right End Plate    | 79-84 | 15. | 4326116              | Right Moulding | 74-86 |
|     | 5998071 | Right End Plate    | 85-88 |     | 7591723              | Right Moulding | 87-88 |
|     | 5869569 | Left End Plate     | 79-84 | 16. | 4325840              | Weatherstrip   | 74-88 |
|     | 5998072 | Left End Plate     | 85-88 | 17. | 4326160              | Weatherstrip   | 74-88 |
| 6.  | 4325842 | Left Channel       | 74-86 | 18. | 4325841              | Right Moulding | 74-86 |
|     | 7591722 | Left Channel       | 87-88 |     | 7591721              | Right Moulding | 87-88 |
| 7.  | 4326160 | Weatherstrip       | 74-88 | 19. | 4326114              | Weatherstrip   | 74-88 |
| 8.  | 4325840 | Weatherstrip       | 74-88 |     |                      |                |       |
| 9.  | 4326117 | Left Moulding      | 74-86 |     |                      |                |       |
|     | 7591724 | Left Moulding      | 87-88 |     |                      |                |       |
| 10. | 4462991 | Right Weatherstrip | 74-88 |     |                      |                |       |
|     | 4462992 | Left Weatherstrip  | 74-88 |     |                      |                |       |

DOORS & LOCK MECHANISMS 1 of 2

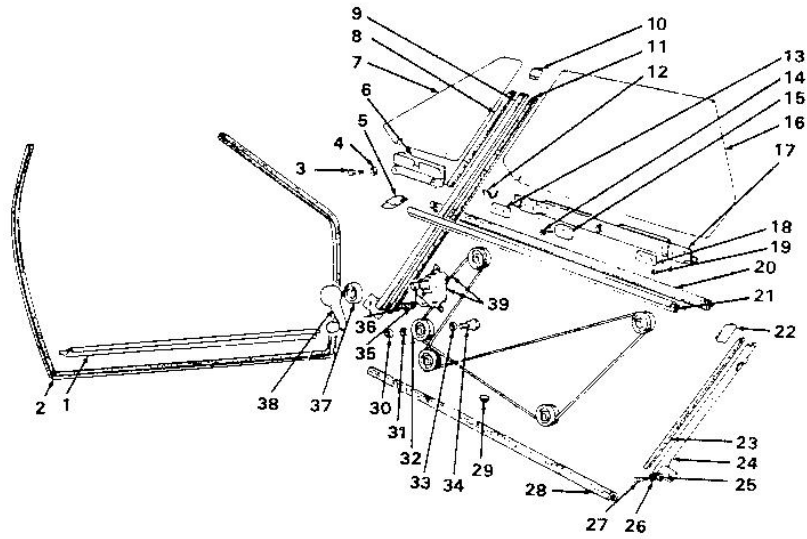


- |              |                           |              |                       |
|--------------|---------------------------|--------------|-----------------------|
| 1. 4245623   | Lock Rod 74-78            | 15. 4222579  | Left Latch 74-78      |
| 4403653      | Right Lock Rod 79-88      | 4325900      | Right Latch 79-88     |
| 4403654      | Left Lock Rod 79-88       | 4325901      | Left Latch 79-88      |
| 2. 14569580  | Not Available 74-88       | 16. 12646721 | Washer 79-88          |
| 3. 15896411  | Nut 79-88                 | 17. 13842471 | Not Available 79-88   |
| 4. 13550101  | Washer 79-88              | 18. 13312701 | Bolt 74-88            |
| 5. 4245617   | Plate 79-88               | 19. 12606871 | Not Available 79-88   |
| 6. 4108831   | Knob 74-88                | 20. 7591827  | Right Door Skin 74-88 |
| 7. 4245624   | Rod 74-88                 | 7591828      | Left Door Skin 74-88  |
| 8. 4245621   | Connecting Rod 74-88      | 21. 4403657  | Right Door 74-84      |
| 9. 4245467   | Right Handle Assy 74-84   | 4403658      | Left Door 74-84       |
| 4245468      | Left Handle Assy 74-84    | 7557785      | Right Door 85-86      |
| 5998073      | Right Handle Assy 85-88   | 7557786      | Left Door 85-86       |
| 5998074      | Left Handle Assy 85-88    | 7591716      | Right Door 87-88      |
| 10. 4245475  | Lock Set Doors Only 74-88 | 7591717      | Left Door 87-88       |
| 11. 4245478  | Not Available 74-88       | 22. 4245619  | Right Lock Assy 74-88 |
| 12. 11036420 | Not Available 74-88       | 4245620      | Left Lock Assy 74-88  |
| 13. 4245476  | Right Pawl 74-88          | 23. 91369392 | Door Check 74-88      |
| 4245477      | Left Pawl 74-88           | 24. 4245373  | Not Available 74-88   |
| 14. 13325521 | Bolt 74-88                | 25. 13303711 | Hinge Screw 74-88     |
| 15. 4222578  | Right Latch 74-78         | 26. 12606979 | Lock Washer 74-88     |



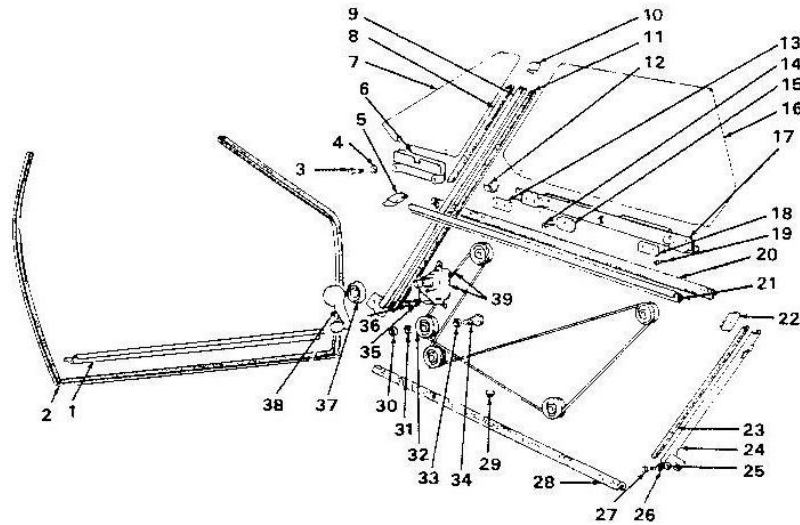
- 27. 4245576 Hinge 74-88
- 28. 13836014 Bolt 74-88
- 29. 4245576 Hinge 74-88
- 30. 4245373 Not Available 74-88
- 31. 4475766 Bezel Black 80-88
- 32. 4334999 Right Handle 74-88
- 4335000 Left Handle 74-88
- 4453638 Brown Handle 79-88
- 4475765 Black Handle 79-88
- 33. 4389939 Clip 79-88
- 5998075 Complete Lock Set 79-88

WINDOW ASSEMBLY 1 of 2



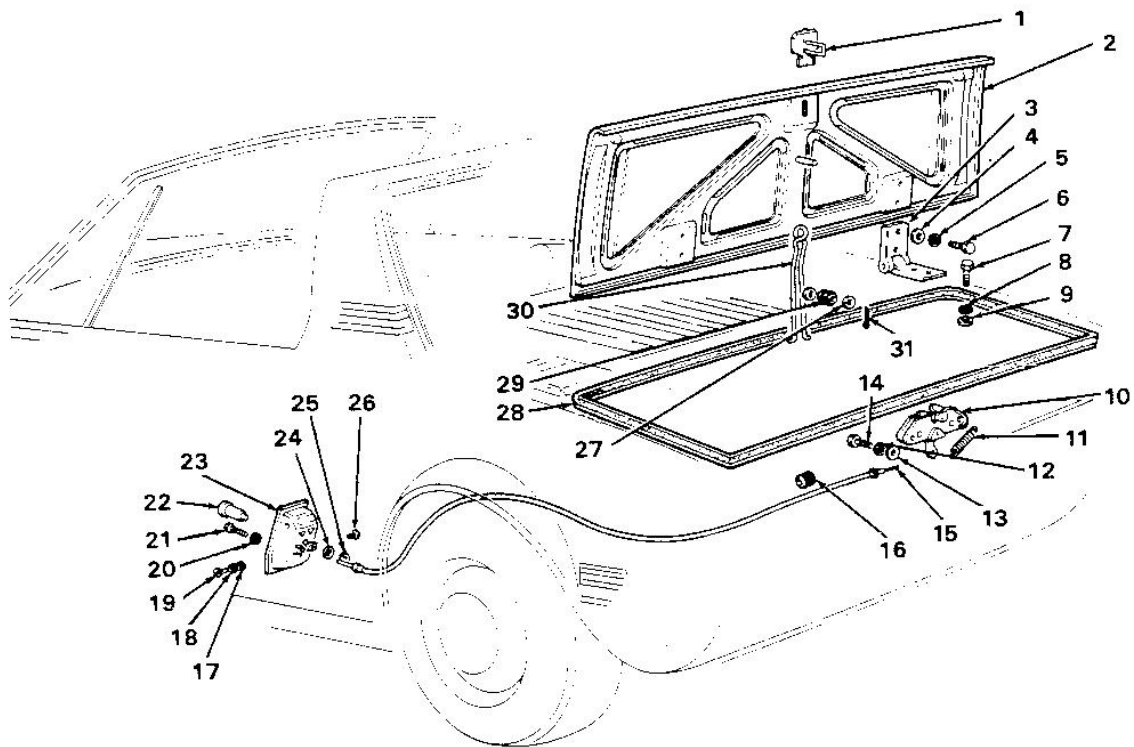
- |    |  |  |  |
|----|--|--|--|
| 1. | 4326052 Doorsill Moulding 74-86<br>7591718 Doorsill Moulding 87-88   | 9.   | 4245606 Right Pillar 74-84<br>5998038 Right Pillar 85-88<br>4245607 Left Pillar 74-84<br>5998039 Left Pillar 85-88 |
| 2. | 4462991 RH Threshold W/Strip 74-88<br>4462992 LH Threshold W/Strip 74-88   | 10.  | 4245616 Top Pillar Pad 74-75<br>4308103 RH Top Pillar Pad Jan.76-88<br>4308104 LH Top Pillar Pad Jan.76-88         |
| 3. | 12643701 Bolt 74-88  | 11.  | 5886699 Weatherstrip 74-88   |
| 4. | 10902821 Washer 74-88  | 12.  | 4246256 Clip 74-88   |
| 5. | 4245626 Boot Right 74-79<br>4462870 Boot Right 80-88<br>4245627 Boot Left 74-79<br>4462871 Boot Left 80-88                 | 13.  | 4463117 Plate 74-88  |
| 6. | 4422400 Left Channel 74-88<br>4422399 Right Channel 74-88  | 14.  | 13310801 Not Available 74-79<br>13299301 Screw 80-88   |
| 7. | 6096 RH Vent Glass used 74-79<br>4422342 RH Vent Glass 80-88<br>4307821 LH Vent Glass 74-79<br>4422340 LH Vent Glass 80-88 | 15.  | 4308257 Pad 74-88  |
| 8. | 4245656 Weatherstrip 74-88   | 16.  | 4307818 Right Door Glass 74-88<br>4307819 Left Door Glass 74-88  |
|    |  | 17.  | 4245591 Window Channel 74-88   |
|    | 18.  | 4463117 Plate 74-88  |  |
|    | 19.  | 13310801 Not Available 74-88   |  |
|    | 20.  | 5869525 Right Weatherstrip 74-86<br>7558206 Right Weatherstrip 87-88<br>5869526 Left Weatherstrip 74-86<br>7558207 Left Weatherstrip 87-88 |  |

WINDOW ASSEMBLY 2 of 2



- |     |          |               |       |     |          |                      |       |
|-----|----------|---------------|-------|-----|----------|----------------------|-------|
| 21. | 4245634  | Right Cover   | 74-80 | 32. | 4246640  | Pulley               | 74-88 |
|     | 4462884  | Right Cover   | 81-88 | 33. | 12643701 | Washer               | 74-88 |
|     | 4245635  | Left Cover    | 74-80 | 34. | 997215   | Pin                  | 74-88 |
|     | 4462885  | Left Cover    | 81-88 | 35. | 12605271 | Lock Washer          | 74-88 |
| 22. | 4246198  | Right Cap     | 74-88 | 36. | 15896411 | Nut                  | 74-88 |
|     | 4246216  | Left Cap      | 74-88 | 37. | 4251269  | Bezel                | 74-78 |
| 23. | 5869578  | Weatherstrip  | 74-88 |     | 4377309  | Bezel Black          | 79-88 |
| 24. | 4245593  | Right Channel | 74-88 | 38. | 4241252  | Chrome Handle        | 74-75 |
|     | 4245594  | Left Channel  | 74-88 |     | 4382204  | Brown Handle         | 79    |
| 25. | 13550101 | Washer        | 74-88 |     | 4267722  | Black Handle         | 74-79 |
| 26. | 10615479 | Lock Washer   | 74-88 |     | 4475763  | Black Handle         | 80-88 |
| 27. | 10902231 | Bolt          | 74-88 | 39. | 4245600  | RH Window Regulator  | 74-88 |
| 28. | 4307875  | Weatherstrip  | 74-88 |     | 4245601  | LH Window Regulator  | 74-88 |
| 29. | 14567487 | Pad           | 74-88 |     | 5991166  | RH Power Window Reg. | 79-84 |
| 30. | 12574211 | Nut           | 74-88 |     | 5991167  | LH Power Window Reg. | 79-84 |
| 31. | 10615479 | Washer        | 74-88 |     | 7557789  | RH Power Window Reg. | 85-88 |
|     |          |               |       |     | 7557790  | LH Power Window Reg. | 85-88 |

LUGGAGE COMPARTMENT LID



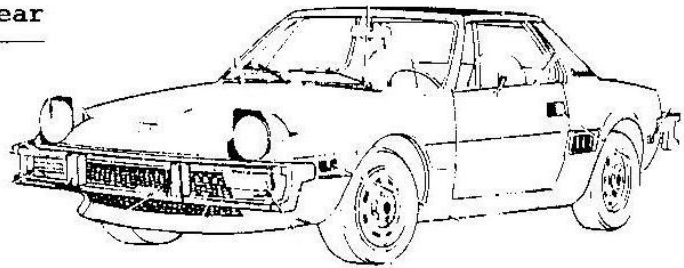
- |  |  |
|--|--|
| 1. 4245210 Striker Plate 74-88   | 16. 4246011 Not Available 74-88                          |
| 2. 4307877 Not Available 74-78<br>5997838 Trunk Lid 79-86<br>7591767 Not Available 87-88 | 17. Local Purchase 74-88                                 |
| 3. 4245197 Hinge 74-88   | 18. Local Purchase 74-88                                 |
| 4. 12643701 Washer 74-88   | 19. 13271911 Screw 74-88                                 |
| 5. 12605271 Lock Washer 74-88  | 20. 12606779 Not Available 74-88                         |
| 6. 13824024 Bolt With Lock Washer 74-88  | 21. 13311011 Screw 74-88                                 |
| 7. 10902021 Bolt 74-88   | 22. 4245486 Lock Cylinder 74-88                          |
| 8. 12605271 Lock Washer 74-88  | 23. 5998031 Lock Assembly 74-88                          |
| 9. 12643701 Washer 74-88   | 24. 4245491 Lock Washer 74-88                            |
| 10. 4307947 Not Available 74-88  | 25. 4246357 Fork Clip 74-88                              |
| 11. 4167300 Spring 74-88   | 26. 13271911 Screw 74-88                                 |
| 12. 12605271 Lock Washer 74-88   | 27. 12643701 Washer 74-88                                |
| 13. 12643701 Washer 74-88  | 28. 4463166 W/Strip by Meter 74-88                       |
| 14. 10902421 Bolt 74-88  | 29. 4263566 Bushing 74-88                                |
| 15. 4246020 Inner Cable 74-88  | 30. 4307901 Spring 74-88<br>5869622 Single Rod Stay 1977 |
|  | 31. 10734101 N.A. Cotter Pin 74-88<br>Local Purchase     |





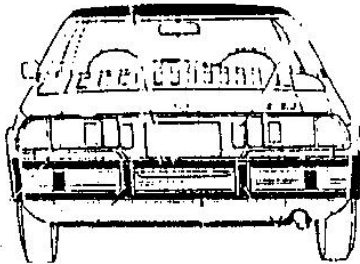
FRONT BUMPER

Part #	Description	Model Year
4308009	Right Bumper	74
4308010	Left Bumper	74
4325717	Bumper Guard	74
4325670	Right End Cap	74
4325671	Left End Cap	74
4325911	Upper Bumper Bar	75
4325912	Lower Bumper Bar	75
4325950	Bumper Guard	75-78
4325971	Right Bumper End	75
4325972	Left Bumper End	75



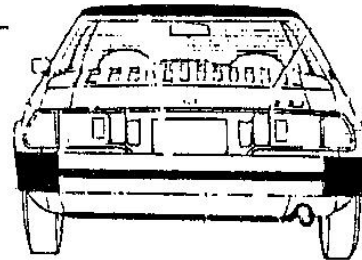
Part #	Description	Model Year
4355681	Upper Bumper Bar	76-77
4355682	Lower Bumper Bar	76-77
5869829	Upper Bumper Bar	78
5869830	Lower Bumper Bar	78
4355678	Right Bumper End	76-78
4355679	Left Bumper End	76-78
4422426	Bumper Bar	79-84
4403577	Right Bumper End	79-88
4403577	Left Bumper End	79-88
4403526	Bumper Guard	79-88
4403572	Upper Cover	79-88
5998029	Bumper Bar	85-88

R E A R B U M P E R



Part #	Description	Model Year
4325676	Right Bumper	74
4325677	Left Bumper	74
4325717	Bumper Guard	74
4325691	Right Bumper End	74
4325692	Left Bumper End	74
4325914	Upper Bumper Bar	75
4325915	Lower Bumper Bar	75
4325951	Bumper Guard	75-78
4325971	Left Bumper End	75
4325972	Right Bumper End	75

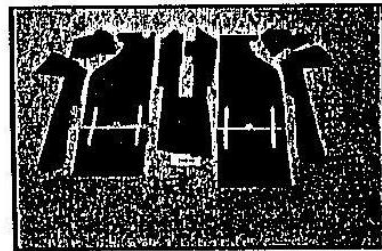
Part #	Description	Model Year
4355684	Upper Bumper Bar	75
4355685	Lower Bumper Bar	75
5869833	Lower Bumper Bar	78
4355678	Left Bumper End	76-78
4355679	Right Bumper End	76-78
4422427	Rear Bumper	79-84
4403521	Right Bumper End	79-88
4403522	Left Bumper End	79-88
4403515	Right End Cap	79-88
4403516	Left End Cap	79-88
4403618	Upper Cover	79-88
5998030	Bumper	85-88





CARPET SETS

## Custom Carpet Kits



Complete that restoration job with a high quality custom carpet kit. Our carpet kits are manufactured from high quality nylon cut pile loop material with bound edges to prevent fraying. Each kit consists of 9 pieces as shown.

All carpet sets have complete floor coverage. Covers floors, front and rear, side rails, etc.

<u>Part #</u>	<u>Year</u>	<u>Application</u>	<u>Color</u>
1209	79-88	x 1/9	Black
1210	79-88	x 1/9	Beige



PUBLICATIONS

<u>FIAT PART #</u>	<u>TITLE</u>
3399	X1/9 Bertone Shop Manual 79 to 88
3392	X1/9 Electrical Trouble Shooting Manual
3333	X1/9 1976 to 78 Wiring Diagram
3389	X1/9 1979 to 81 Wiring Diagram
7535076	Bertone 1983 to 88 Wiring Diagram

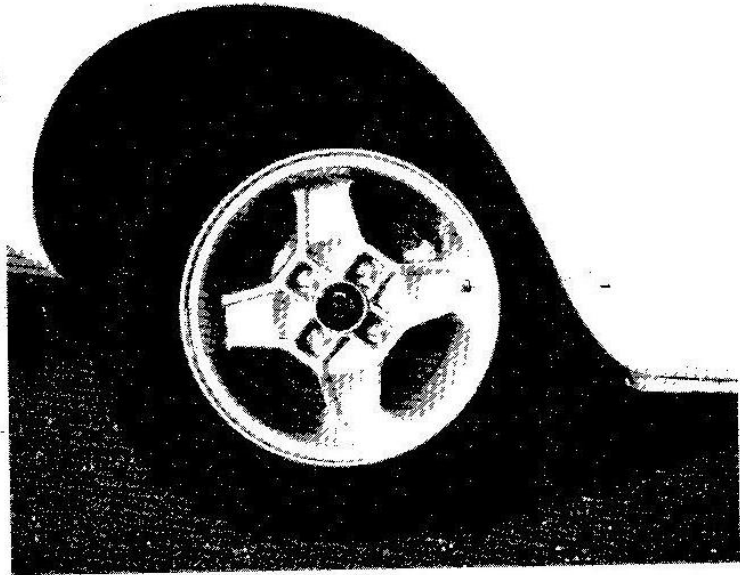
60305023	74 Owners Manual
60305095	75 Owners Manual
60305205	76 Owners Manual Not Available
60305270	77 Owners Manual
60305392	78 Owners Manual Not Available
60305746	80 Owners Manual Not Available
7534751	Bertone Owners Manual

WHEELS

<u>PART #</u>	<u>DESCRIPTION</u>	<u>MODEL YEAR</u>
---------------	--------------------	-------------------

CD 30	Abarth Wheel	74-88
-------	--------------	-------

Comes With Chrome Lug-Bolts  
Scorpion Center Cap & Chrome  
Valve Stem.



<u>PART #</u>	<u>DESCRIPTION</u>	<u>MODEL Y.</u>
---------------	--------------------	-----------------

4445634	Steel Wheel	80 Stock Wheel
---------	-------------	----------------



NO PICTURE AVAILABLE

5997825	Alloy Wheel	84-86 Stock Wheel
---------	-------------	-------------------

7591680	Alloy Wheel	87-88 Stock Wheel
---------	-------------	-------------------

4445634	Spare Wheel Steel	Special Version
---------	-------------------	-----------------

## Clubs & Organizations

**The Arbat Register, USA**  
1298 Birch St., Unlondale,  
Long Island, NY 11553  
For information, contact:  
Gerry Rothman, 516-481-2092

**American Lancia Club**  
723 Plainfield Ave.,  
Berkeley Heights, NJ 07922  
For information, contact:  
Harry Schwill, 201-322-8867

**Fiat America**  
P.O. Box 391068  
Mountain View, CA 94039-1068  
For information, contact:  
Dan Yee, 415-571-1627 (H)  
415-877-7409 (W)

**Fiat Club of America, Inc.**  
11 Linden Circle  
Sommerville, Ma 02143-0192  
For information, contact:  
Santo J. Bimbo, 617-776-8576

**Fiat-Lancia Underground**  
P.O. Box 193  
Shillington, PA 19607  
For information, contact:  
Scott Hill, 215-375-4222

**Lancia Motor Club, England**  
P.O. Box 1321  
Milton, WA 98354  
For information, contact:  
Jeff Burk, 206-922-5232

**Western Fiat Fanciers**  
5420 North 63rd Drive  
Glendale, AZ 85301  
For information, contact:  
Skip Brown, 602-246-0219

**Rear Engine Fiat Club**  
P.O. Box 682  
Sun Valley, CA 91353  
For information, contact:  
Merkel Wiess 213-768-3552 (H)  
213-681-2739 (W)

**Topolino Register of North America**  
3301 Shetland Road  
Beavercreek, OH 45385  
For information, contact:  
Mike Self, 513-426-0098

**Club Fiat Lancia  
Innocenti du Quebec**  
675 rang du Petit bois  
Lanoraie d'Autray (Quebec)  
Canada, JOK 1E0  
For information contact:  
Daniel Forest (514) 836-7955

**Fiat Enthusiasts NW**  
14529 Wallingford Avenue N.  
Seattle, WA 98133-6613  
For information, contact:  
David Moise (206) 363-1808

**Fiat Lancia Club  
(Auckland Inc.)**  
P.O. Box 5652, Auckland,  
New Zealand  
For information, contact:  
Ian Mair

**Fiat Italian Car Club of North America**  
P.O. Box 21654  
Detroit, MI 48221-0654  
For information, contact:  
Woody Woodson, 313-497-2570

**The Other Dino Newsletter  
Fiat Dino Enthusiasts**  
2740 Canal Street  
Orange, CA 92665  
For information, contact:  
Wally Clark, 714-974-5346

**X1/9 Owners Club International**  
66 King George St. Shotton  
CH5 1DZ England  
For information, contact:  
Alan Edwards